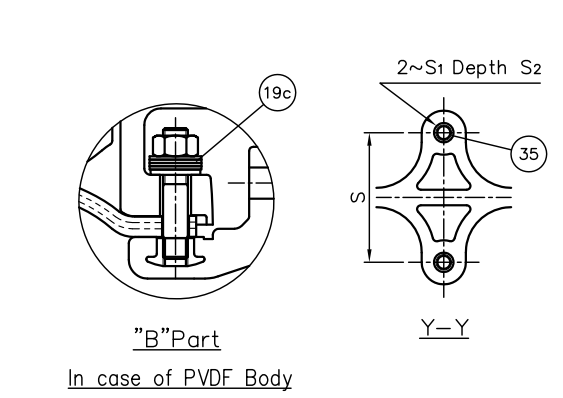
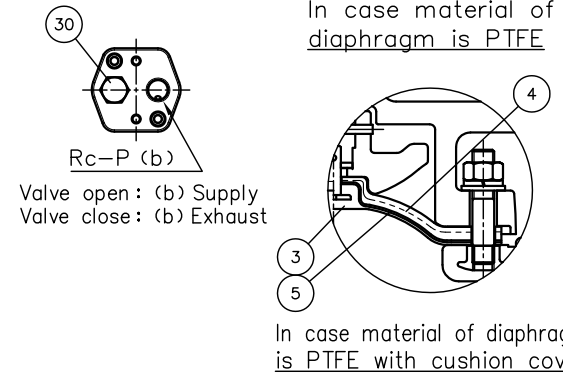
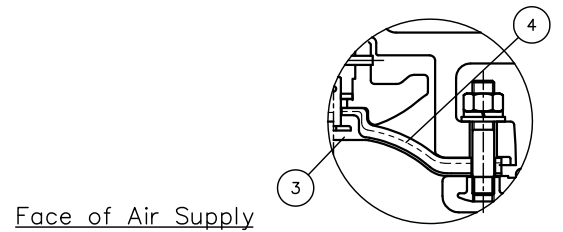
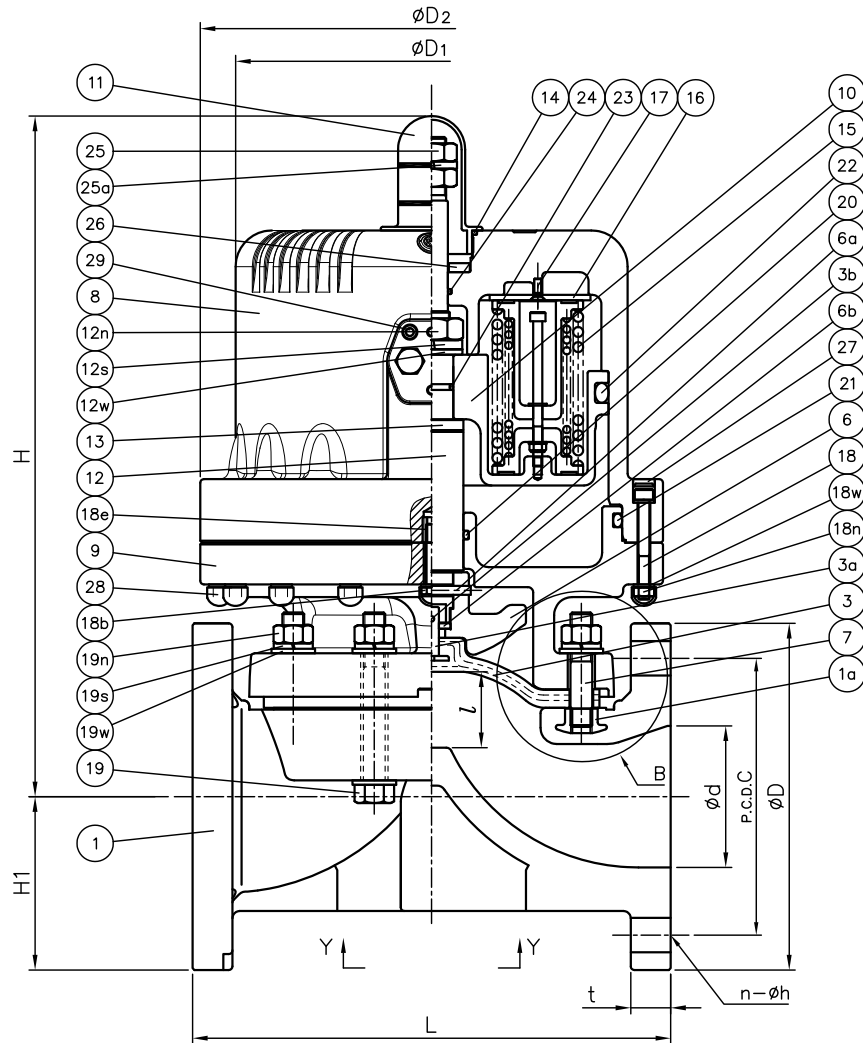


DIMENSIONS TABLE

| NOMINAL SIZE |      | MAX. WORKING PRESSURE | d    | ANSI Class 150 |      |   |      | D1    | D2    | l (LIFT) | L                |             |           |         | t     |      | H    | H1  | S    | 1 | 2 | P |
|--------------|------|-----------------------|------|----------------|------|---|------|-------|-------|----------|------------------|-------------|-----------|---------|-------|------|------|-----|------|---|---|---|
|              |      |                       |      | D              | C    | n | h    |       |       |          | GRINNEL STANDARD | AV STANDARD | PVC C-PVC | PP PVDF |       |      |      |     |      |   |   |   |
| 2½"          | 65mm | 85psi, 150psi         | 2.64 | 7.00           | 5.50 | 4 | 0.75 | 8.50  | 10.04 | 1.34     | —                | 9.84        | 0.87      | 0.91    | 13.90 | 2.40 | 3.35 | M8  | 0.59 | ¼ |   |   |
| 3            | 80   | 85psi                 | 3.07 | 7.50           | 6.00 | 4 | 0.75 | 8.50  | 10.04 | 1.65     | 10.37            | 11.02       | 0.87      | 0.91    | 14.49 | 2.48 | 3.94 | M12 | 0.87 | ¼ |   |   |
|              |      | 150psi                |      |                |      |   |      | 9.13  | 10.67 |          |                  |             |           |         | 15.31 |      |      |     |      |   |   |   |
| 4            | 100  | 85psi                 | 3.94 | 9.00           | 7.50 | 8 | 0.75 | 9.13  | 10.67 | 1.97     | 12.93            | 13.39       | 0.87      | 0.94    | 16.85 | 3.07 | 4.72 | M12 | 0.87 | ¼ |   |   |
|              |      | 150psi                |      |                |      |   |      | 10.87 | 12.40 |          |                  |             |           |         | 17.76 |      |      |     |      |   |   |   |

UNIT : inch

NOTE. 1. Operation of permission pressure : 0.4~0.5MPaG  
 2. Diaphragms except EPDM and PTFE are available in FKM, VIFLON-C (FKM-C), VIFLON-F (FKM-F), CSM and NBR when required.  
 3. The shape and appearance of assembly differ a little with nominal size compared to this drawing.



|     |                                 |       |  |  |
|-----|---------------------------------|-------|--|--|
| 35  | ENSAT FOR BODY                  | 2     | STAINLESS STEEL (SUS304)                           |  |
| 30  | NIPPLE                          | 1     | PPG  |  |
| 29  | INSERTED METAL OF CYLINDER BODY | 2     | STAINLESS STEEL (SUS304)                           |  |
| 28  | NUT CAP                         | —     | PVC  |  |
| 27  | CAP                             | —     | EPDM   | 85Psi : Red<br>150Psi : Blue                   |
| 26  | STOPPER BASE                    | 1     | STAINLESS STEEL (SUS304)                           |  |
| 25a | SPRING WASHER (No.25)           | 1     | STAINLESS STEEL (SUS304)                           |  |
| 25  | STOPPER                         | 1sets | STAINLESS STEEL (SUS304)                           |  |
| 24  | O-RING (No.24)                  | 1     | NBR  |  |
| 23  | O-RING (No.23)                  | 1     | NBR  |  |
| 22  | O-RING (No.22)                  | 1     | NBR  |  |
| 21  | O-RING (No.21)                  | 1     | NBR  |  |
| 20  | O-RING (No.20)                  | 1     | NBR  |  |
| 19w | WASHER (No.19)                  | 12    | STAINLESS STEEL (SUS304)                           |  |
| 19s | SPRING WASHER (No.19)           | 8     | STAINLESS STEEL (SUS304)                           |  |
| 19n | NUT (No.19)                     | 8     | STAINLESS STEEL (SUS304)                           |  |
| 19c | CONICAL SPRING WASHER (No.19)   | 8sets | STAINLESS STEEL (SUS304)                           | Use for PVDF Body                              |
| 19  | BOLT (No.19)                    | 4     | STAINLESS STEEL (SUS304)                           |  |
| 18w | WASHER (No.18)                  | —     | STAINLESS STEEL (SUS304)                           |  |
| 18n | NUT (No.18)                     | —     | STAINLESS STEEL (SUS304)                           |  |
| 18e | INSERTED NUT (No.18)            | 1     | STAINLESS STEEL (SUS304)                           |  |
| 18b | BOLT (No.18)                    | 1     | STAINLESS STEEL (SUS304)                           |  |
| 18  | CAP BOLT (No.18)                | —     | STAINLESS STEEL (SUS304)                           |  |
| 17  | SCREW                           | 4     | STAINLESS STEEL (SUS304)                           |  |
| 16  | SPRING BASE                     | 1     | PVC  |  |
| 15  | SPRING UNIT                     | —     | SWOSC-B etc.                                       |  |
| 14  | O-RING (No.14)                  | 1     | EPDM   |  |
| 13  | STEM WASHER                     | 1     | STAINLESS STEEL (SUS304)                           |  |
| 12w | WASHER (No.12)                  | 1     | STAINLESS STEEL (SUS304)                           |  |
| 12s | SPRING WASHER (No.12)           | 1     | STAINLESS STEEL (SUS304)                           |  |
| 12n | NUT (No.12)                     | 1     | STAINLESS STEEL (SUS304)                           |  |
| 12  | STEM                            | 1     | STAINLESS STEEL (SUS304)                           |  |
| 11  | GAUGE COVER                     | 1     | PC   |  |
| 10  | PISTON                          | 1     | PF+GF  |  |
| 9   | CYLINDER BONNET                 | 1     | PPG  |  |
| 8   | CYLINDER BODY                   | 1     | PPG  |  |
| 7   | STUD BOLT                       | 4     | STAINLESS STEEL (SUS304)                           |  |
| 6b  | METAL OF COMPRESSOR             | 1     | STAINLESS STEEL (SUS304)                           |  |
| 6a  | COMPRESSOR PIN                  | 1     | STAINLESS STEEL (SUS304)                           |  |
| 6   | COMPRESSOR                      | 1     | PVDF   |  |
| 5   | CUSHION COVER                   | 1     | □Nothing<br>□PVDF                                  | Use for PTFE Diaphragm                         |
| 4   | CUSHION                         | 1     | EPDM   | Use for PTFE Diaphragm                         |
| 3b  | DIAPHRAGM PIN                   | 1     | STAINLESS STEEL (SUS304)                           |  |
| 3a  | INSERTED METAL OF DIAPHRAGM     | 1     | STAINLESS STEEL (SUS304)                           |  |
| 3   | DIAPHRAGM                       | 1     | □EPDM<br>□PTFE<br>□Others ( )                      |  |
| 1a  | INSERTED NUT                    | 4     | □COPPER ALLOY (C3604)<br>□STAINLESS STEEL (SUS304) | Use for PVC,C-PVC,PP Body<br>Use for PVDF Body |
| 1   | BODY                            | 1     | □PVC<br>□C-PVC<br>□PP<br>□PVDF                     |  |

| No.               | DESCRIPTION  | QTY.       | MATERIAL | REMARKS     |
|-------------------|--|------------|----------|-------------|
| ITEM              | DIAPHRAGM VALVE (TYPE14) PNEUMATIC ACTUATED MODEL TYPE AP ASS'Y<br>AIR TO OPEN<br>ANSI Class 150 : FLANGED END<br>2½" (65mm) ~ 4" (100mm)<br>□ 85Psi ~ □ 150Psi<br>□ GRINNEL STANDARD, □ AV STANDARD |            |          |             |
| DRAWN             | E.Emmei  | DATE       | SCALE    |             |
| CHECKED           | H.Kawano   | MAY.1.2023 |          | DRAWING No. |
| APPROVED          | K.Koushou  | D1-AA201AE |          | △           |
| SPECIAL ORDER No. | ASAHI YUKIZAI CORPORATION  |            |          |             |