

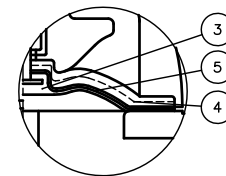
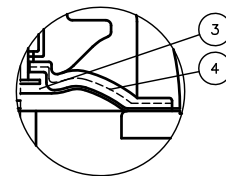
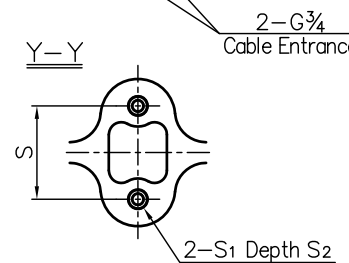
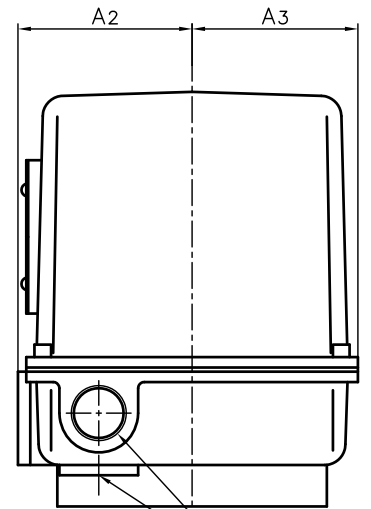
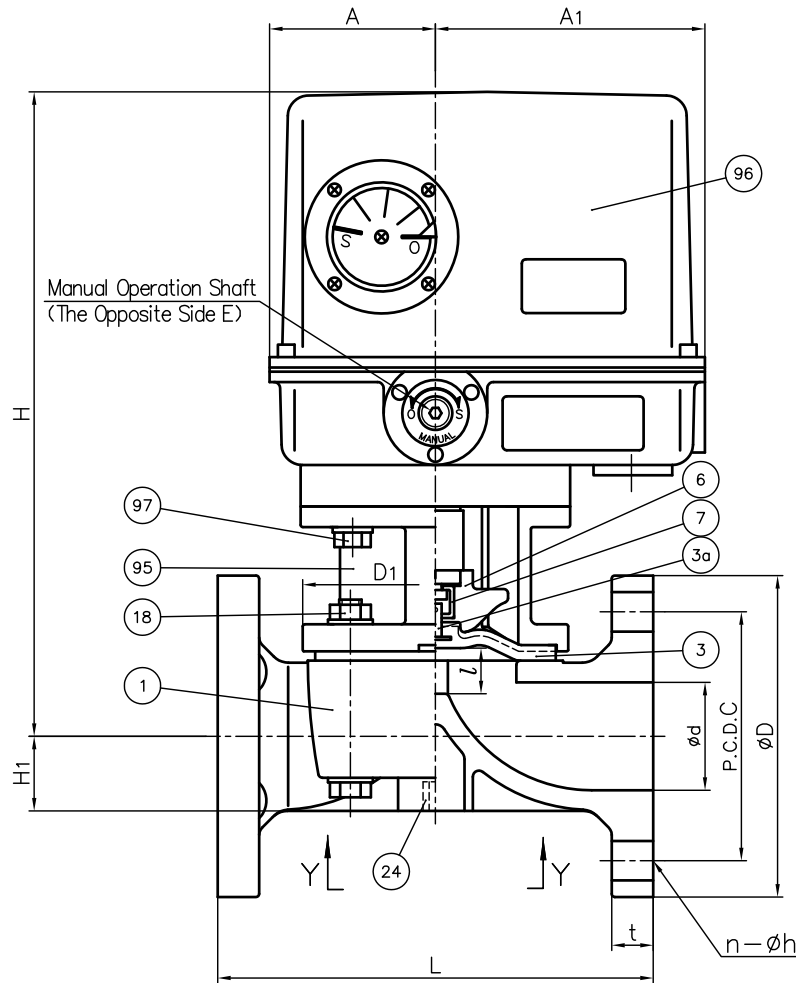
DIMENSIONS TABLE

Unit : inch

Nominal Size	d	ANSI Class 150					D1	L		t	l (LIFT)	H	H1	A	A1	A2	A3	S	S1	S2	E	Actuator Type
		D	C	n	h	GRINNEL STANDARD		AV STANDARD														
1/2"	15mm	0.63	3.50	2.38	4	0.62	2.13x2.60	4.25	4.33	0.43	0.39	11.18	0.77	3.15	5.12	3.31	3.15	0.98	M5	0.39	0.20	ED-11H
3/4"	20	0.79	3.88	2.75	4	0.62	2.13x2.60	5.88	4.72	0.51	0.39	11.26	0.69	3.15	5.12	3.31	3.15	0.98	M5	0.39	0.20	ED-11H
1"	25	0.98	4.25	3.12	4	0.62	2.64x3.15	5.88	5.12	0.59	0.47	11.46	0.73	3.15	5.12	3.31	3.15	0.98	M5	0.39	0.20	ED-11H
1 1/4"	32	1.26	4.62	3.50	4	0.62	2.64x3.15	6.38	-	0.63	0.47	11.59	0.89	3.15	5.12	3.31	3.15	0.98	M5	0.39	0.20	ED-11H
1 1/2"	40	1.57	5.00	3.88	4	0.62	4.33x4.33	6.94	7.09	0.63	0.83	11.90	1.08	3.15	5.12	3.31	3.15	1.77	M6	0.55	0.20	ED-11H
2"	50	2.05	6.00	4.75	4	0.75	5.04x5.04	7.94	8.27	0.79	0.98	12.25	1.42	3.15	5.12	3.31	3.15	1.77	M6	0.55	0.20	ED-11H

NOTE.

- Diaphragms except EPDM and PTFE are available in FKM, VIFLON® C (FKM-C), VIFLON® F (FKM-F), CSM and NBR when required.
- The shape and appearance of assembly differ a little with nominal size compared to this drawing.



In case Material of Diaphragm is PTFE.

In case Material of Diaphragm is PTFE with Cushion Cover.

No.	DESCRIPTION	QTY.	MATERIAL	REMARKS
97	BOLT&WASHER (D)	4-sets	STAINLESS STEEL (SUS304)	
96	ACTUATOR	1	CAST ALUMINIUM ALLOY (AC2A etc.)	Melamin Baking Coat.
95	BONNET	1	CAST ALUMINIUM ALLOY (AC4A)	Epoxy Coat.
24	ENSAT FOR BODY	2	COPPER ALLOY (Equal to C3603)	
18	BOLT&NUT (A)	4-sets	STAINLESS STEEL (SUS304)	
7	JOINT	1	STAINLESS STEEL (SUS304)	
6	COMPRESSOR	1	PVDF	
5	CUSHION COVER	1	□Nothing □PVDF	Used for PTFE Diaphragm
4	CUSHION	1	EPDM	
3a	INSERTED METAL OF DIAPHRAGM	1	STAINLESS STEEL (SUS304)	
3	DIAPHRAGM	1	□EPDM □PTFE □Others ()	
1	BODY	1	□PVC □C-PVC □PP □PVDF	

ITEM	DIAPHRAGM VALVE (TYPE14) ELECTRIC MODEL TYPE H ASS'Y ANSI Class 150 : FLANGED END 1/2" (15mm) ~ 2" (50mm) □GRINNEL STANDARD, □AV STANDARD			
DRAWN	M.Iwakiri	DATE	SCALE	
CHECKED	H.Kawano	FEB.7.2019		
APPROVED	K.Koushou	DRAWING No.		
SPECIAL ORDER No.	D1-AE001AE			
ASAHI YUKIZAI CORPORATION				