

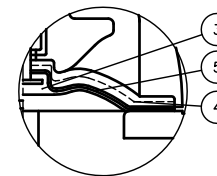
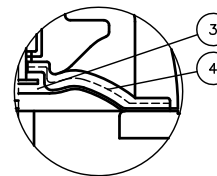
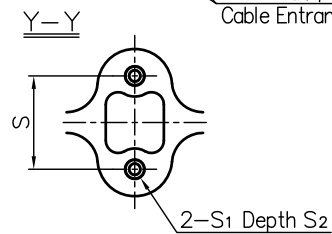
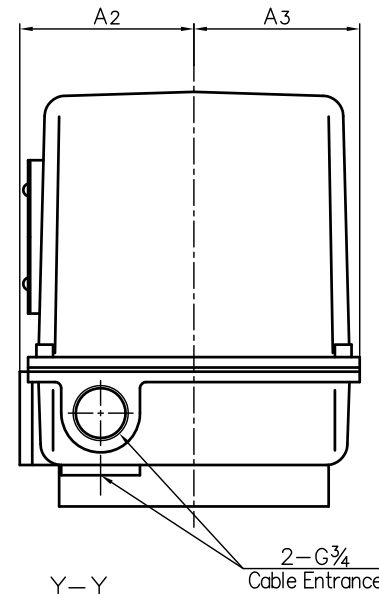
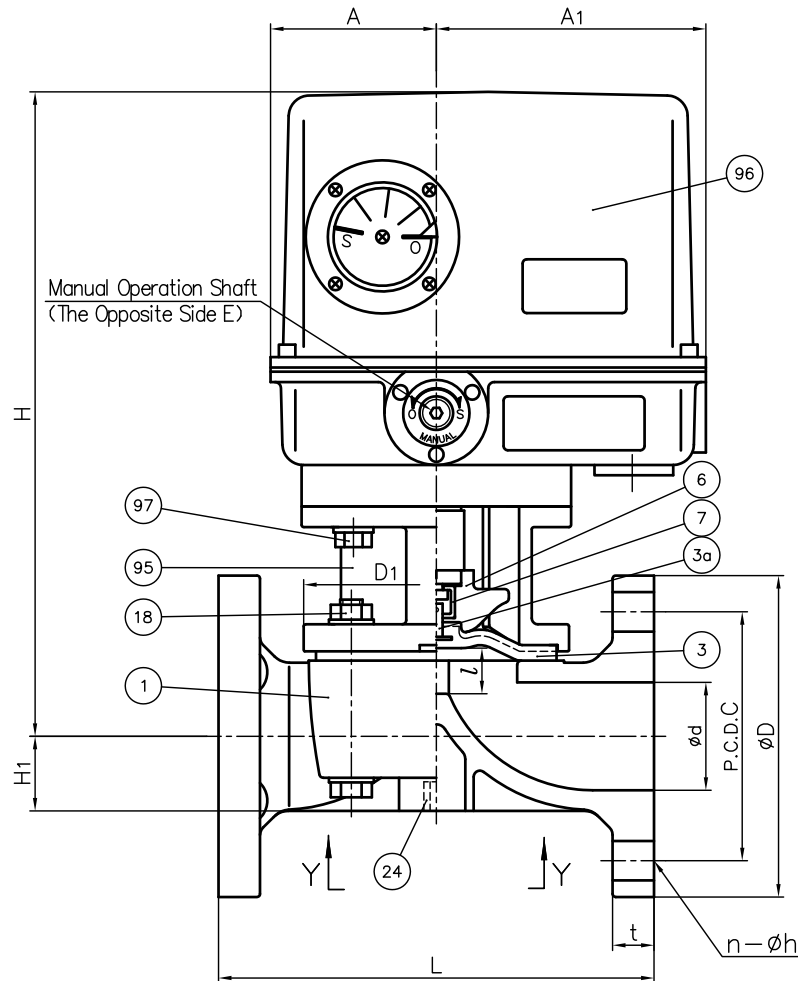
DIMENSIONS TABLE

Unit : mm

NOMINAL SIZE	d	ANSI Class 150					D1	L		t	l (LIFT)	H	H1	A	A1	A2	A3	S	S1	S2	E	ACTUATOR MODEL
		D	C	n	h	GRINNEL STANDARD		AV STANDARD														
15mm	1/2"	16	89	60.5	4	16	54×66	108	110	11	10	284	19.5	80	130	84	80	25	M5	10	5	ED-11H
20	3/4"	20	98	70.0	4	16	54×66	149	120	13	10	286	17.5	80	130	84	80	25	M5	10	5	ED-11H
25	1"	25	108	79.5	4	16	67×80	149	130	15	12	291	18.5	80	130	84	80	25	M5	10	5	ED-11H
32	1 1/4"	32	117	89.0	4	16	67×80	162	-	16	12	294.5	22.5	80	130	84	80	25	M5	10	5	ED-11H
40	1 1/2"	40	127	98.5	4	16	110×110	176	180	16	21	302.2	27.5	80	130	84	80	45	M6	14	5	ED-11H
50	2"	52	152	120.5	4	19	128×128	201.6	210	20	25	311.2	36	80	130	84	80	45	M6	14	5	ED-11H

NOTE.

- Diaphragms except EPDM and PTFE are available in FKM, VIFLON[®] C (FKM-C), VIFLON[®] F (FKM-F), CSM and NBR when required.
- The shape and appearance of assembly differ a little with nominal size compared to this drawing.



In case Material of Diaphragm is PTFE.

In case Material of Diaphragm is PTFE with Cushion Cover.

97	BOLT&WASHER (D)	4sets	STAINLESS STEEL (SUS304)	
96	ACTUATOR	1	CAST ALUMINUM ALLOY (AC2A etc.)	Melamin Baking Coat.
95	BONNET	1	CAST ALUMINUM ALLOY (AC4A)	Epoxy Coat.
24	ENSAT FOR BODY	2	COPPER ALLOY (Equal to C3603)	
18	BOLT&NUT (A)	4sets	STAINLESS STEEL (SUS304)	
7	JOINT	1	STAINLESS STEEL (SUS304)	
6	COMPRESSOR	1	PVDF	
5	CUSHION COVER	1	<input type="checkbox"/> Nothing <input type="checkbox"/> PVDF	Used for PTFE Diaphragm
4	CUSHION	1	EPDM	
3a	INSERTED METAL OF DIAPHRAGM	1	STAINLESS STEEL (SUS304)	
3	DIAPHRAGM	1	<input type="checkbox"/> EPDM <input type="checkbox"/> PTFE <input type="checkbox"/> Others ()	
1	BODY	1	<input type="checkbox"/> PVC <input type="checkbox"/> C-PVC <input type="checkbox"/> PP <input type="checkbox"/> PVDF	
No.	DESCRIPTION	QTY.	MATERIAL	REMARKS

ITEM	DIAPHRAGM VALVE (TYPE14) ELECTRIC MODEL TYPE H ASS'Y ANSI Class 150 : FLANGED END 15mm (1/2") ~ 50mm (2")			
DRAWN	M.Iwakiri	DATE	SCALE	
CHECKED	H.Kawano	AUG.15.2019		
APPROVED	K.Koushou	DRAWING No.		
SPECIAL ORDER No.	D1-AE001AEm			
ASAHI YUKIZAI CORPORATION				