

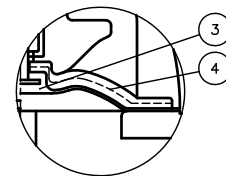
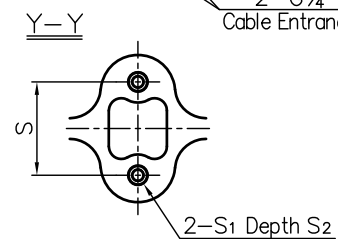
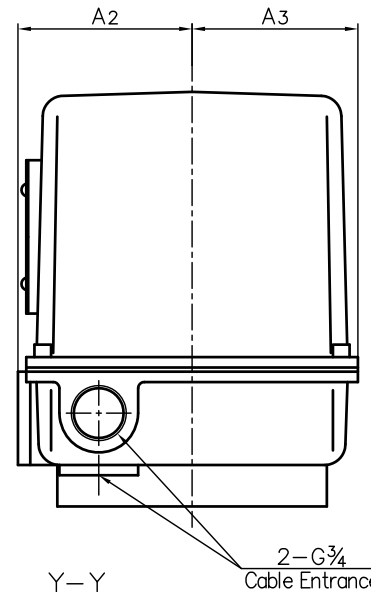
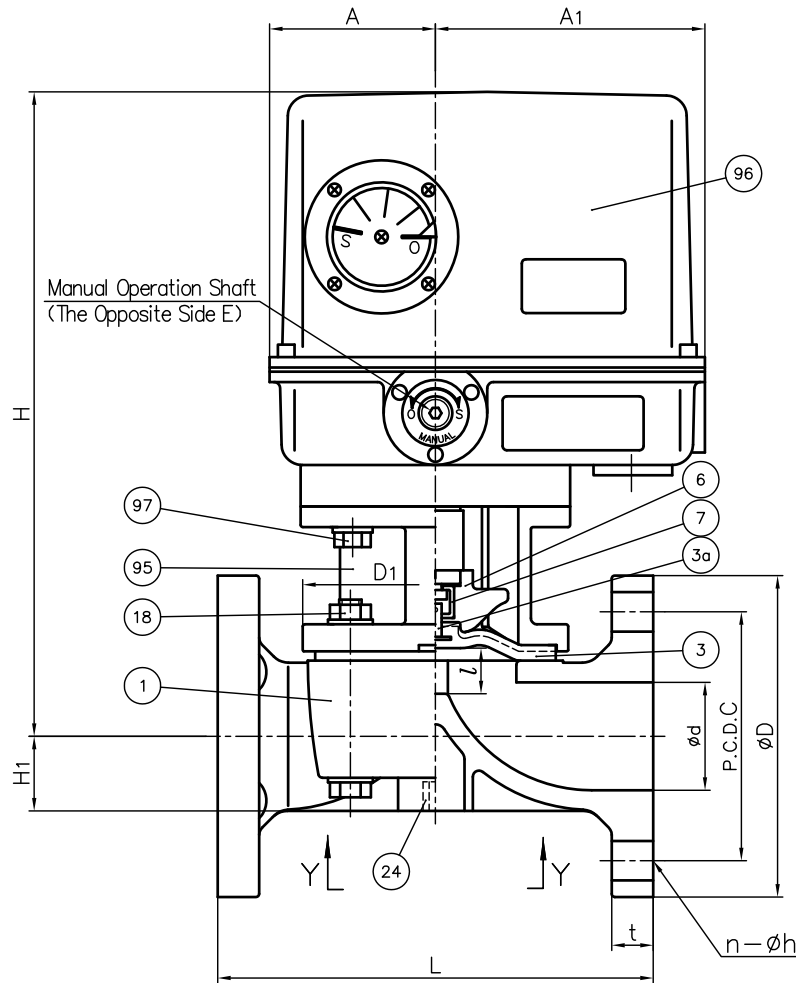
DIMENSIONS TABLE

Unit : mm

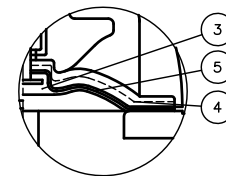
Nominal Size	d	DIN PN10					D ₁	L	t	l (LIFT)	H	H ₁	A	A ₁	A ₂	A ₃	S	S ₁	S ₂	E	Actuator Type
		D	C	n	h																
15mm 1/2"	16	95	65	4	14	54×66	130	12	10	284	19.5	80	130	84	80	25	M5	10	5	ED-11H	
20 3/4"	20	105	75	4	14	54×66	150	13	10	286	17.5	80	130	84	80	25	M5	10	5	ED-11H	
25 1"	25	115	85	4	14	67×80	160	13	12	291	18.5	80	130	84	80	25	M5	10	5	ED-11H	
32 1 1/4"	32	140	100	4	18	67×80	180	16	12	294.5	22.5	80	130	84	80	25	M5	10	5	ED-11H	
40 1 1/2"	40	150	110	4	18	110×110	200	20	21	302.2	27.5	80	130	84	80	45	M6	14	5	ED-11H	
50 2"	52	165	125	4	18	128×128	230	22	25	311.2	36	80	130	84	80	45	M6	14	5	ED-11H	

NOTE.

- Diaphragms except EPDM and PTFE are available in FKM, VIFLON® C (FKM-C), VIFLON® F (FKM-F), CSM and NBR when required.
- The shape and appearance of assembly differ a little with nominal size compared to this drawing.



In case Material of Diaphragm is PTFE.



In case Material of Diaphragm is PTFE with Cushion Cover.

No.	DESCRIPTION	QTY.	MATERIAL	REMARKS
97	BOLT&WASHER (D)	4-sets	STAINLESS STEEL (SUS304)	
96	ACTUATOR	1	CAST ALUMINIUM ALLOY (AC2A etc.)	Melamin Baking Coat.
95	BONNET	1	CAST ALUMINIUM ALLOY (AC4A)	Epoxy Coat.
24	ENSAT FOR BODY	2	COPPER ALLOY (Equal to C3603)	
18	BOLT&NUT (A)	4-sets	STAINLESS STEEL (SUS304)	
7	JOINT	1	STAINLESS STEEL (SUS304)	
6	COMPRESSOR	1	PVDF	
5	CUSHION COVER	1	<input type="checkbox"/> Nothing <input type="checkbox"/> PVDF	Used for PTFE Diaphragm
4	CUSHION	1	EPDM	
3a	INSERTED METAL OF DIAPHRAGM	1	STAINLESS STEEL (SUS304)	
3	DIAPHRAGM	1	<input type="checkbox"/> EPDM <input type="checkbox"/> PTFE <input type="checkbox"/> Others ()	
1	BODY	1	<input type="checkbox"/> PVC <input type="checkbox"/> C-PVC <input type="checkbox"/> PP <input type="checkbox"/> PVDF	

ITEM	DIAPHRAGM VALVE (TYPE14) ELECTRIC MODEL TYPE H ASS'Y DIN PN10 : FLANGED END 15mm (1/2") ~ 50mm (2")			
DRAWN	M.Iwakiri	DATE	SCALE	
CHECKED	H.Kawano	FEB.7.2019		
APPROVED	K.Koushou	DRAWING No.		
SPECIAL ORDER No.	D1-AE001DE			
ASAHI YUKIZAI CORPORATION				