

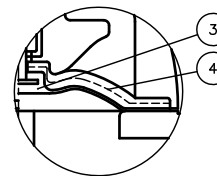
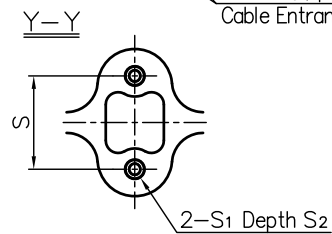
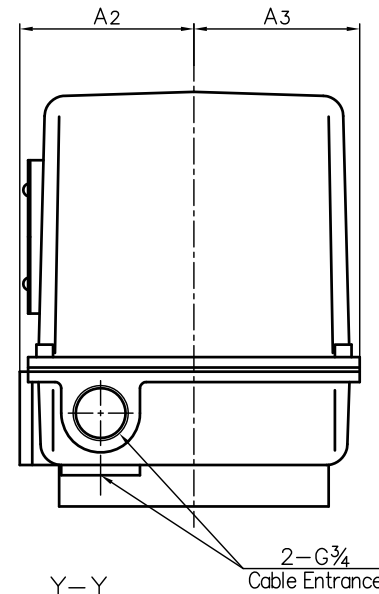
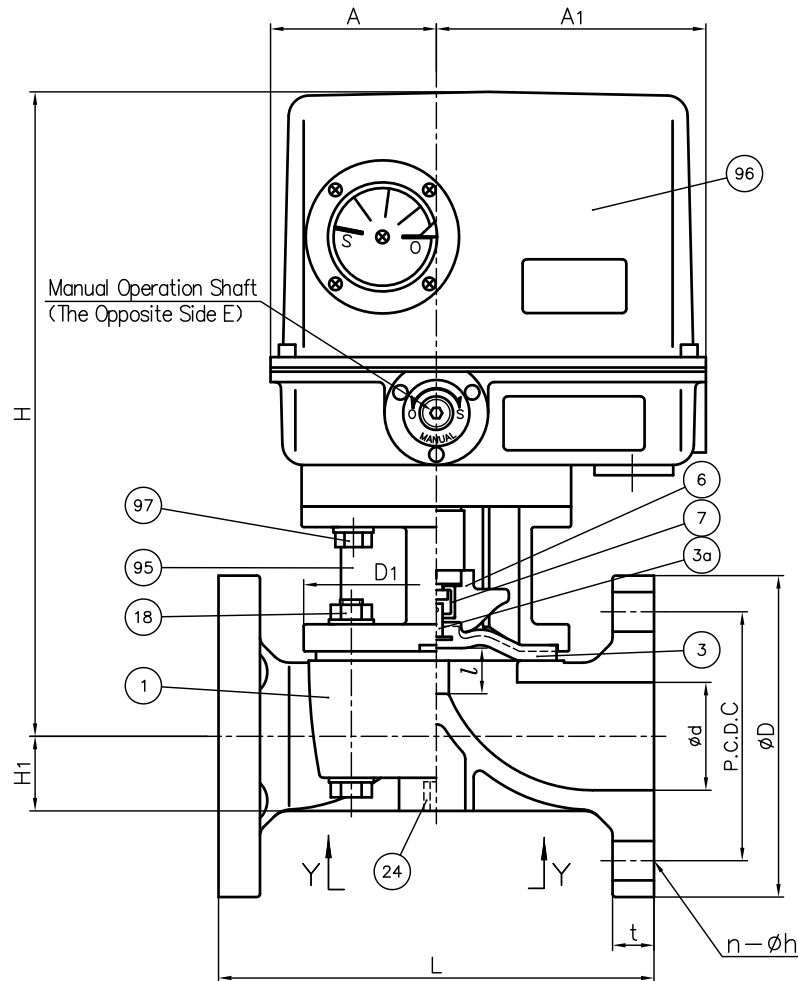
DIMENSIONS TABLE

Unit : mm

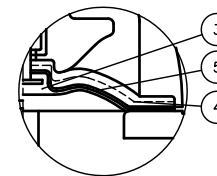
Nominal Size	d	JIS 10K					D ₁	L	t	l (LIFT)	H	H ₁	A	A ₁	A ₂	A ₃	S	S ₁	S ₂	E	Actuator Type
		D	C	n	h																
15mm	1/2"	16	95	70	4	15	54×66	110	12	10	284	19.5	80	130	84	80	25	M5	10	5	ED-11H
20	3/4"	20	100	75	4	15	54×66	120	13	10	286	17.5	80	130	84	80	25	M5	10	5	ED-11H
25	1"	25	125	90	4	19	67×80	130	13	12	291	18.5	80	130	84	80	25	M5	10	5	ED-11H
32	1 1/4"	32	135	100	4	19	67×80	142	16	12	294.5	22.5	80	130	84	80	25	M5	10	5	ED-11H
40	1 1/2"	40	140	105	4	19	110×110	180	16	21	302.2	27.5	80	130	84	80	45	M6	14	5	ED-11H
50	2"	52	155	120	4	19	128×128	210	20	25	311.2	36	80	130	84	80	45	M6	14	5	ED-11H

NOTE.

- Diaphragms except EPDM and PTFE are available in FKM, VIFLON® C (FKM-C), VIFLON® F (FKM-F), CSM and NBR when required.
- The shape and appearance of assembly differ a little with nominal size compared to this drawing.



In case Material of Diaphragm is PTFE.



In case Material of Diaphragm is PTFE with Cushion Cover.

No.	DESCRIPTION	QTY.	MATERIAL	REMARKS
97	BOLT&WASHER (D)	4sets	STAINLESS STEEL (SUS304)	
96	ACTUATOR	1	CAST ALUMINIUM ALLOY (AC2A etc.)	Melamin Baking Coat.
95	BONNET	1	CAST ALUMINIUM ALLOY (AC4A)	Epoxy Coat.
24	ENSAT FOR BODY	2	COPPER ALLOY (Equal to C3603)	
18	BOLT&NUT (A)	4sets	STAINLESS STEEL (SUS304)	
7	JOINT	1	STAINLESS STEEL (SUS304)	
6	COMPRESSOR	1	PVDF	
5	CUSHION COVER	1	<input type="checkbox"/> Nothing <input type="checkbox"/> PVDF	Used for PTFE Diaphragm
4	CUSHION	1	EPDM	
3a	INSERTED METAL OF DIAPHRAGM	1	STAINLESS STEEL (SUS304)	
3	DIAPHRAGM	1	<input type="checkbox"/> EPDM <input type="checkbox"/> PTFE <input type="checkbox"/> Others ()	
1	BODY	1	<input type="checkbox"/> PVC <input type="checkbox"/> C-PVC <input type="checkbox"/> PP <input type="checkbox"/> PVDF	

ITEM	DIAPHRAGM VALVE (TYPE14) ELECTRIC MODEL TYPE H ASS'Y JIS 10K : FLANGED END 15mm (1/2") ~ 50mm (2")			
DRAWN	M.Iwakiri	DATE	SCALE	
CHECKED	H.Kawano	FEB.7.2019		
APPROVED	K.Koushou	DRAWING No.		
SPECIAL ORDER No.	D1-AE001JE			
ASAHI YUKIZAI CORPORATION				