

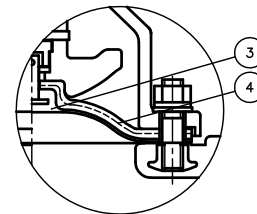
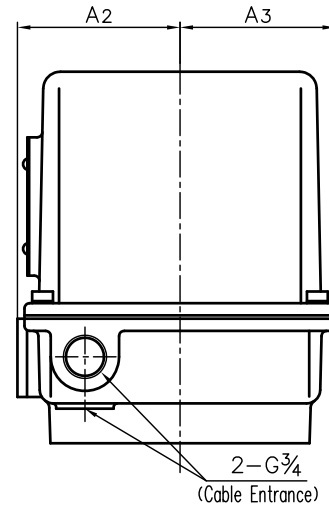
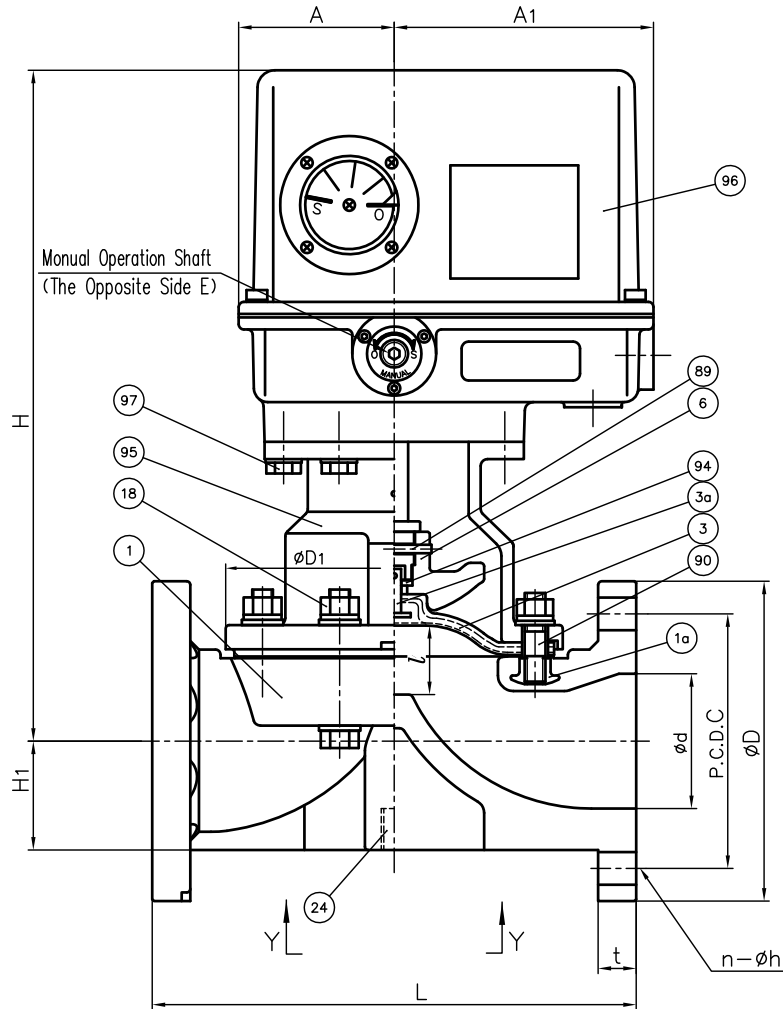
DIMENSIONS TABLE

UNIT: inch

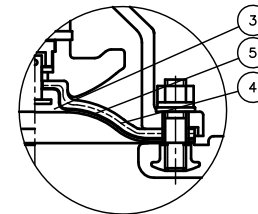
NOMINAL SIZE	d	ANSI Class 150					D1	Z (LIFT)	L		t		H	H1	A	A1	A2	A3	S	S1	S2	E	ACTUATOR MODEL
		D	C	n	h	GRINNEL STANDARD			AV STANDARD	PVC C-PVC	PP PVDF												
2½"	65mm	2.64	7.00	5.50	4	0.75	6.89	1.34	—	9.84	0.87	0.91	14.61	2.40	3.54	5.91	3.70	3.54	3.35	M8	0.59	0.20	ED-21H
3	80	3.07	7.50	6.00	4	0.75	7.83	1.65	10.37	11.02	0.87	0.91	15.28	4.29	3.54	5.91	3.70	3.54	3.94	M12	0.87	0.20	ED-21H
4	100	3.94	9.00	7.50	8	0.75	9.41	1.97	12.93	13.39	0.87	0.94	16.46	4.69	3.54	5.91	3.70	3.54	4.72	M12	0.87	0.20	ED-21H

NOTE.

- Diaphragms except EPDM and PTFE are available in FKM, VIFLON® C (FKM-C), VIFLON® F (FKM-F), CSM and NBR when required.
- The shape and appearance of assembly differ a little with nominal size compared to this drawing.

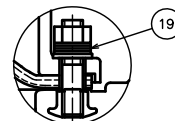


In case material of diaphragm is PTFE

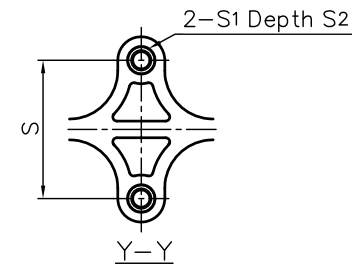


In case material of diaphragm is PTFE with cushion cover

In Case of PVDF Body



Part "B"



1a	INSERTED NUT	4	COPPER ALLOY (C3604)	Used for PVC,C-PVC,PP Body
			STAINLESS STEEL (SUS304)	Used for PVDF Body
97	BOLT · WASHER (D)	6Sets	STAINLESS STEEL (SUS304)	
96	ACTUATOR	1	CAST ALUMINUM ALLOY (AC2A etc.)	Melamin Baking Coat
95	BONNET	1	CAST ALUMINUM ALLOY (AC4A)	Epoxy Coat
94	METAL OF COMPRESSOR	1	STAINLESS STEEL (SUS304)	
90	STUD BOLT · NUT	4Sets	STAINLESS STEEL (SUS304)	
89	COMPRESSOR PIN	1	STAINLESS STEEL (SUS304)	
24	ENSAT FOR BODY	2	COPPER ALLOY (Equal to C3603)	
19	CONICAL SPRING WASHER (A)	8Sets	STAINLESS STEEL (SUS304)	Used for PVDF Body
18	BOLT · NUT (A)	4Sets	STAINLESS STEEL (SUS304)	
6	COMPRESSOR	1	PVDF	
5	CUSHION COVER	1	<input type="checkbox"/> Nothing <input type="checkbox"/> PVDF	Used for PTFE Diaphragm
4	CUSHION	1	EPDM	
3a	INSERTED METAL OF DIAPHRAGM	1	STAINLESS STEEL (SUS304)	
3	DIAPHRAGM	1	<input type="checkbox"/> EPDM <input type="checkbox"/> PTFE <input type="checkbox"/> Others ( )	
1	BODY	1	<input type="checkbox"/> PVC <input type="checkbox"/> C-PVC <input type="checkbox"/> PP <input type="checkbox"/> PVDF	

No.	DESCRIPTION	QTY.	MATERIAL	REMARKS
ITEM	DIAPHRAGM VALVE (TYPE14) ELECTRIC MODEL TYPE H ASS'Y ANSI Class 150 FLANGED END: 2½" (65mm) ~ 4" (100mm) <input type="checkbox"/> GRINNEL STANDARD, <input type="checkbox"/> AV STANDARD			
DRAWN	M.Iwakiri	DATE	SCALE	
CHECKED	H.Kawano	FEB.7.2019		
APPROVED	K.Koushou	DRAWING No.		
		D1-AE002AE		3
SPECIAL ORDER No.	ASAHI YUKIZAI CORPORATION			