

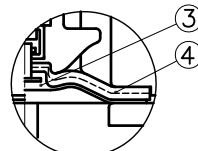
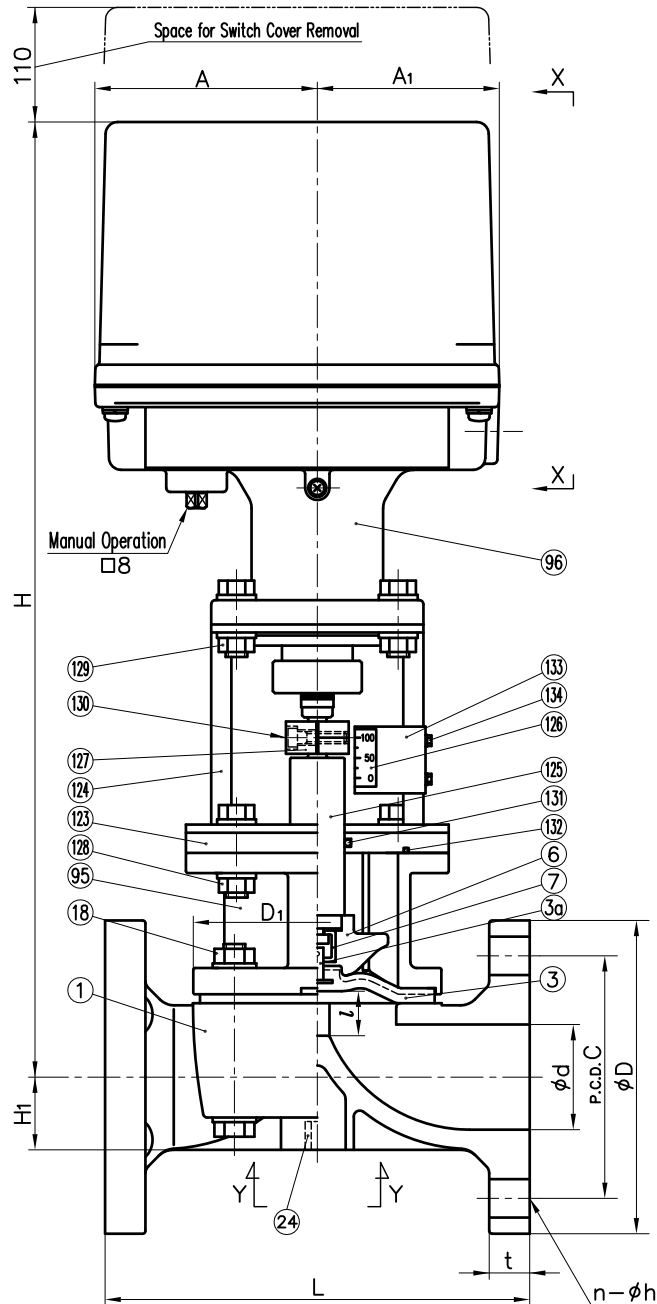
DIMENSIONS TABLE

UNIT : mm

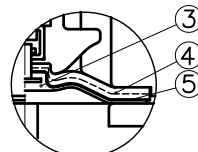
| NOMINAL SIZE | d | ANSI Class 150 | | | | | D1 | L | | t | l (LIFT) | H | H1 | A | A1 | A2 | S | S1 | S2 | ACTUATOR MODEL |
|--------------|-------|----------------|-----|-------|---|------------------|---------|-------------|-----|----|----------|-----|------|-----|----|-----|----|----|----|----------------|
| | | D | C | n | h | GRINNEL STANDARD | | AV STANDARD | | | | | | | | | | | | |
| 15mm | 1/2" | 16 | 89 | 60.5 | 4 | 16 | 54×66 | 108 | 110 | 11 | 10 | 406 | 19.5 | 101 | 81 | 140 | 25 | M5 | 10 | PSN-1 |
| 20 | 3/4 | 20 | 98 | 70 | 4 | 16 | 54×66 | 149 | 120 | 13 | 10 | 408 | 17.5 | 101 | 81 | 140 | 25 | M5 | 10 | PSN-1 |
| 25 | 1 | 25 | 108 | 79.5 | 4 | 16 | 67×80 | 149 | 130 | 15 | 12 | 413 | 18.5 | 101 | 81 | 140 | 25 | M5 | 10 | PSN-1 |
| 32 | 1 1/4 | 32 | 117 | 89 | 4 | 16 | 67×80 | 162 | - | 16 | 12 | 416 | 22.5 | 101 | 81 | 140 | 25 | M5 | 10 | PSN-1 |
| 40 | 1 1/2 | 40 | 127 | 98.5 | 4 | 16 | 110×110 | 176 | 180 | 16 | 21 | 464 | 27.5 | 110 | 90 | 150 | 45 | M6 | 14 | PSN-3 |
| 50 | 2 | 52 | 152 | 120.5 | 4 | 19 | 123×123 | 201.6 | 210 | 20 | 25 | 473 | 36 | 110 | 90 | 150 | 45 | M6 | 14 | PSN-3 |

NOTE.

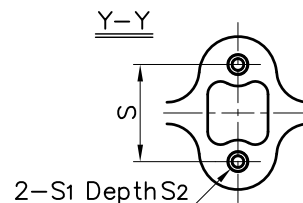
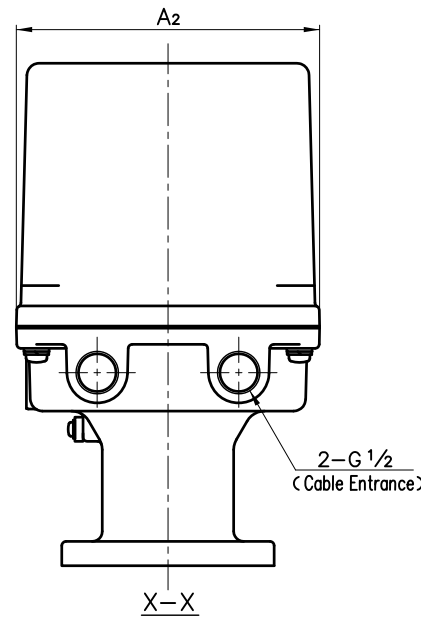
- Diaphragms except EPDM and PTFE are available in FKM, VIFLON-C (FKM-C), VIFLON-F (FKM-F), CSM and NBR when required.
- The shape and appearance of assembly differ a little with nominal size compared to this drawing.



In case material of diaphragm is PTFE



In case material of diaphragm is PTFE with cushion cover



| 134 | SCREW (F) | 2 | STAINLESS STEEL (SUS304) | |
|-----|-----------------------------|--------|--------------------------------|-------------------------|
| 133 | INDICATOR PLATE | 1 | STAINLESS STEEL (SUS304) | |
| 132 | O-RING (K) | 1 | NBR | |
| 131 | O-RING (J) | 1 | NBR | |
| 130 | BOLT (F) | 2 | STAINLESS STEEL (SUS304) | |
| 129 | BOLTO · NUT (F) | 4 Sets | STAINLESS STEEL (SUS304) | |
| 128 | BOLTO · NUT (E) | 4 Sets | STAINLESS STEEL (SUS304) | |
| 127 | JOINT | 1 | COPPER ALLOY (C3604) | |
| 126 | INDICATOR SEAL | 1 | ACRYL | |
| 125 | STEM (D) | 1 | COPPER ALLOY (C3604) | |
| 124 | STAND (A) | 1 | STAINLESS STEEL (SUS304) | |
| 123 | SPACER (A) | 1 | PVC | |
| 96 | ACTUATOR | 1 | ALUMINIUM etc. | Acryl Coat |
| 95 | BONNET | 1 | CAST ALUMINIUM ALLOY (AC4A) | Epoxy Coat |
| 24 | ENSAT FOR BODY | 2 | STAINLESS STEEL (SUS303) | |
| 18 | BOLT · NUT (A) | 4 Sets | STAINLESS STEEL (SUS304) | |
| 7 | JOINT | 1 | STAINLESS STEEL (SUS304) | |
| 6 | COMPRESSOR | 1 | PVDF | |
| 5 | CUSHION COVER | 1 | □Noting □PVDF | Used for PTFE Diaphragm |
| 4 | CUSHION | 1 | EPDM | |
| 3a | INSERTED METAL OF DIAPHRAGM | 1 | STAINLESS STEEL (SUS304) | |
| 3 | DIAPHRAGM | 1 | □EPDM □PTFE □Others () | |
| 1 | BODY | 1 | □PVC □C-PVC □PP □PVDF | |
| No. | DESCRIPTION | QTY. | MATERIAL | REMARKS |

| | | | |
|-------------------|--|----------------------------|-------|
| ITEM | DIAPHRAGM VALVE (TYPE14) ELECTRIC MODEL TYPE M ASS'Y ANSI Class 150: FLANGED END 15mm (1/2") ~ 50mm (2") □GRINNEL STANDARD, □AV STANDARD with E-P POSITIONER | | |
| DRAWN | E.Emmei | DATE | SCALE |
| CHECKED | H.Kawano | MAY.1.2023 | ~ |
| APPROVED | K.Koushou | DRAWING No. D1-AE007AEm | |
| SPECIAL ORDER No. | ASAHI YUKIZAI CORPORATION | | |