

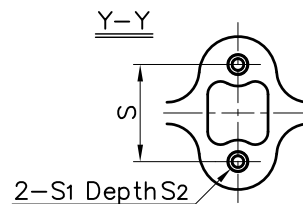
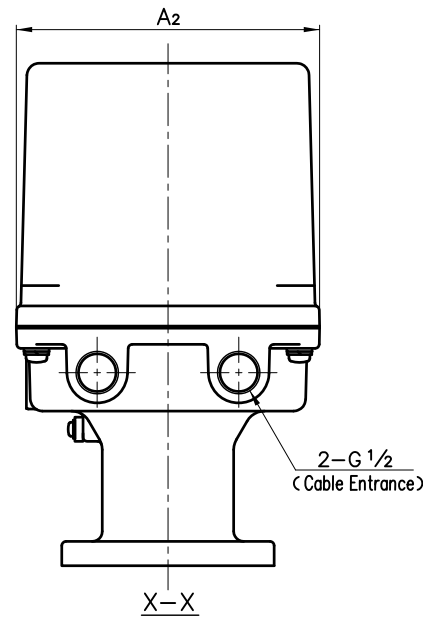
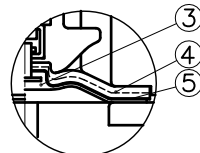
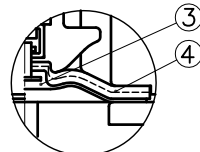
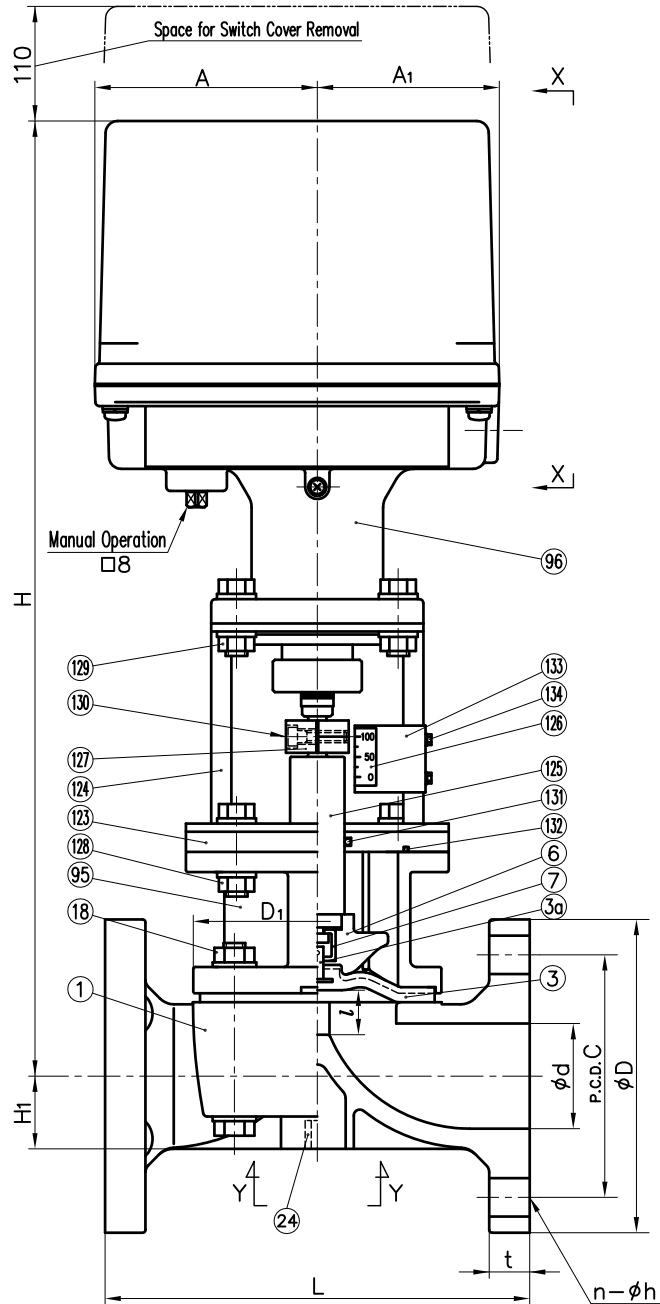
DIMENSIONS TABLE

UNIT : mm

NOMINAL SIZE	d	JIS 10K					D <sub>1</sub>	L	t	l (LIFT)	H	H <sub>1</sub>	A	A <sub>1</sub>	A <sub>2</sub>	S	S <sub>1</sub>	S <sub>2</sub>	ACTUATOR MODEL
		D	C	n	h														
15mm	1/2"	16	95	70	4	15	54×66	110	12	10	406	19.5	101	81	140	25	M5	10	PSN-1
20	3/4"	20	100	75	4	15	54×66	120	13	10	408	17.5	101	81	140	25	M5	10	PSN-1
25	1"	25	125	90	4	19	67×80	130	13	12	413	18.5	101	81	140	25	M5	10	PSN-1
32	1 1/4"	32	135	100	4	19	67×80	142	16	12	416	22.5	101	81	140	25	M5	10	PSN-1
40	1 1/2"	40	140	105	4	19	110×110	180	16	21	464	27.5	110	90	150	45	M6	14	PSN-3
50	2"	52	155	120	4	19	123×123	210	20	25	473	36	110	90	150	45	M6	14	PSN-3

NOTE.

- Diaphragms except EPDM and PTFE are available in FKM, VIFLON-C (FKM-C), VIFLON-F (FKM-F), CSM and NBR when required.
- The shape and appearance of assembly differ a little with nominal size compared to this drawing.



134	SCREW (F)	2	STAINLESS STEEL (SUS304)	
133	INDICATOR PLATE	1	STAINLESS STEEL (SUS304)	
132	O-RING (K)	1	NBR	
131	O-RING (J)	1	NBR	
130	BOLT (F)	2	STAINLESS STEEL (SUS304)	
129	BOLTO · NUT (F)	4 Sets	STAINLESS STEEL (SUS304)	
128	BOLTO · NUT (E)	4 Sets	STAINLESS STEEL (SUS304)	
127	JOINT	1	COPPER ALLOY (C3604)	
126	INDICATOR SEAL	1	ACRYL	
125	STEM (D)	1	COPPER ALLOY (C3604)	
124	STAND (A)	1	STAINLESS STEEL (SUS304)	
123	SPACER (A)	1	PVC	
96	ACTUATOR	1	ALUMINIUM etc.	Acryl Coat
95	BONNET	1	CAST ALUMINIUM ALLOY (AC4A)	Epoxy Coat
24	ENSAT FOR BODY	2	STAINLESS STEEL (SUS303)	
18	BOLT · NUT (A)	4 Sets	STAINLESS STEEL (SUS304)	
7	JOINT	1	STAINLESS STEEL (SUS304)	
6	COMPRESSOR	1	PVDF	
5	CUSHION COVER	1	□Noting □PVDF	Used for PTFE Diaphragm
4	CUSHION	1	EPDM	
3a	INSERTED METAL OF DIAPHRAGM	1	STAINLESS STEEL (SUS304)	
3	DIAPHRAGM	1	□EPDM □PTFE □Others ( )	
1	BODY	1	□PVC □C-PVC □PP □PVDF	
No.	DESCRIPTION	QTY.	MATERIAL	REMARKS

ITEM	DIAPHRAGM VALVE (TYPE14) ELECTRIC MODEL TYPE M ASS'Y JIS 10K : FLANGED END 15mm (1/2") ~ 50mm (2") with E-P POSITIONER		
DRAWN	E.Emmei	DATE	SCALE
CHECKED	H.Kawano	MAY.1.2023	
APPROVED	K.Koushou	DRAWING No. D1-AE007JE	
SPECIAL ORDER No.	ASAHI YUKIZAI CORPORATION		