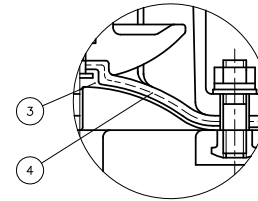
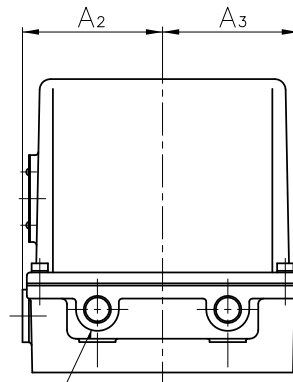
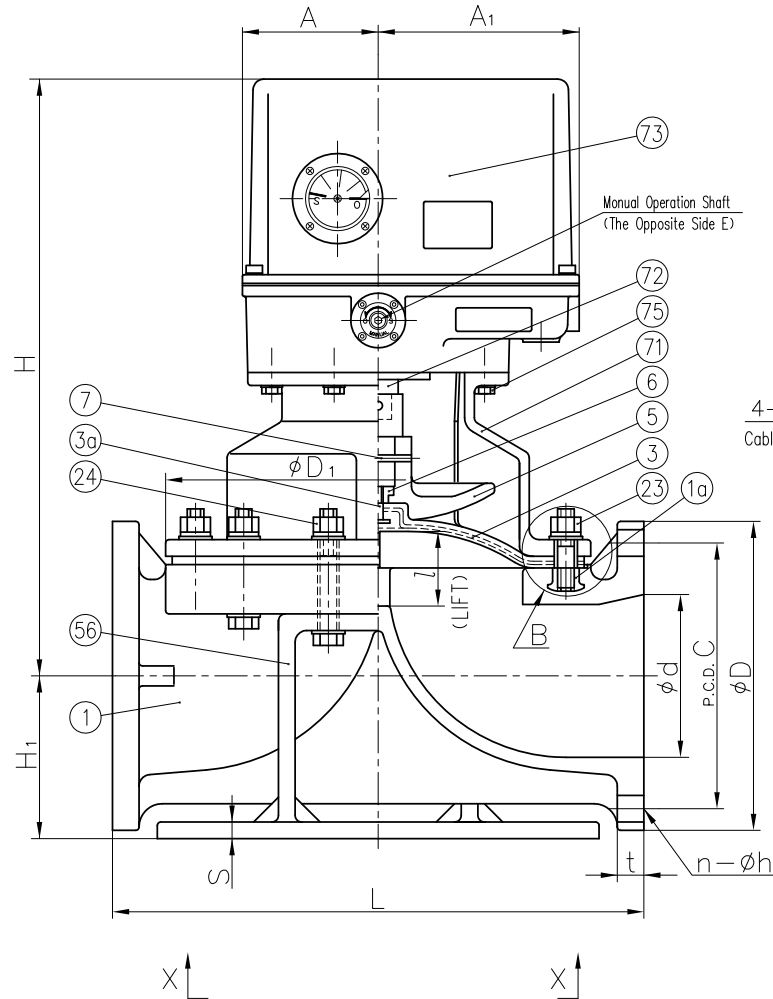


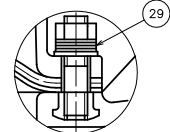
NOTE.

- Diaphragms except EPDM and PTFE are available in FKM, VIFLON-C (FKM-C), VIFLON-F (FKM-F), CSM and NBR when required.
- The shape and appearance of assembly differ a little with nominal size compared to this drawing.

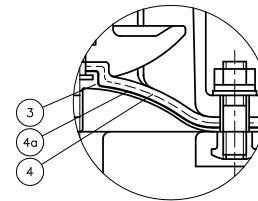


In case material of diaphragm is PTFE

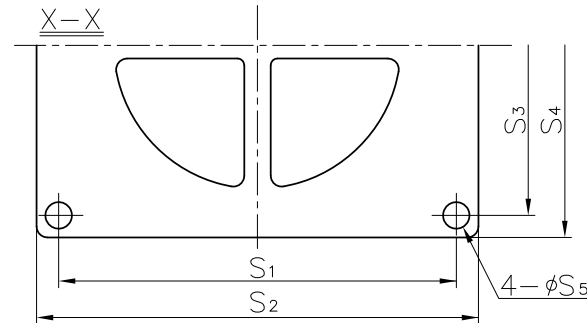
In Case of PVDF Body



"B" Part



In case material of diaphragm is PTFE with cushion cover



DIMENSIONS TABLE

UNIT: inch

NOMINAL SIZE	ANSI Class 150						t		D <sub>1</sub>	l	H	H <sub>1</sub>	A	A <sub>1</sub>	A <sub>2</sub>	A <sub>3</sub>	S	S <sub>1</sub>	S <sub>2</sub>	S <sub>3</sub>	S <sub>4</sub>	S <sub>5</sub>	ACTUATOR MODEL
	d	D	C	n	h	L	PVC	PP PVDF															
5" 125mm	4.92	10.00	8.50	8	0.88	16.14	0.87	0.94	12.60	2.36	20.08	5.63	4.92	7.28	5.08	4.92	0.59	12.20	13.78	11.02	12.60	0.91	ED-30H
6 150	5.83	11.00	9.50	8	0.88	18.90	0.94	1.06	15.16	2.76	21.65	5.83	4.92	7.28	5.08	4.92	0.63	14.17	15.75	12.20	13.78	0.91	ED-30H

No.	DESCRIPTION	QTY.	MATERIAL	REMARKS
1a	INSERTED NUT	4	COPPER ALLOY (C3604) STAINLESS STEEL (SUS304)	Used for PVC,C-PVC,PP Body Used for PVDF Body
75	BOLT (B)	8set	STAINLESS STEEL (SUS304)	
73	ACTUATOR	1	CAST ALUMINIUM ALLOY (AC2A etc.)	Melamin Baking Coat
72	STEM (B)	1	STAINLESS STEEL (SUS403)	
71	BONNET (B)	1	CAST ALUMINIUM ALLOY (AC4C)	Epoxy Coat.
56	STAND (A)	1	CAST ALUMINIUM ALLOY (AC4C)	Epoxy Coat.
29	CONICAL SPRING WASHER	-	STAINLESS STEEL (SUS304)	Used for PVDF Body
24	BOLT · NUT	-	STAINLESS STEEL (SUS304)	
23	STUD BOLT · NUT	4set	STAINLESS STEEL (SUS304)	
7	COMPRESSOR PIN	1	STAINLESS STEEL (SUS304)	
6	COMPRESSOR NUT	1	COPPER ALLOY (C3604)	
5	COMPRESSOR	1	PVDF	
4a	CUSHION COVER	1	<input type="checkbox"/> Nothing (standard) <input type="checkbox"/> PVDF	Used for PTFE Diaphragm
4	CUSHION	1	<input type="checkbox"/> EPDM <input type="checkbox"/> Others ( )	Used for PTFE Diaphragm
3a	INSERTED METAL OF DIAPHRAGM (A)	1	STAINLESS STEEL (SUS304)	
3	DIAPHRAGM	1	<input type="checkbox"/> EPDM <input type="checkbox"/> PTFE <input type="checkbox"/> Others ( )	
1	BODY	1	<input type="checkbox"/> PVC <input type="checkbox"/> PP <input type="checkbox"/> PVDF	

ITEM	DIAPHRAGM VALVE (TYPE 15) ELECTRIC ACTUATED H TYPE ASS'Y ANSI Class150 : FLANGED END 5" (125mm) , 6" (150mm)		
DRAWN	M.Iwakiri	DATE	SCALE
CHECKED	H.Kawano	FEB.12.2019	
APPROVED	K.Koushou	DRAWING No. D5-AE001AE	
SPECIAL ORDER No.	ASAHI YUKIZAI CORPORATION		