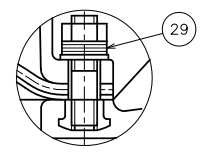


In Case of PVDF Body

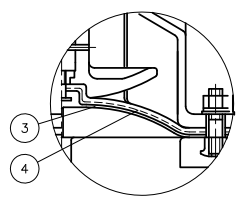
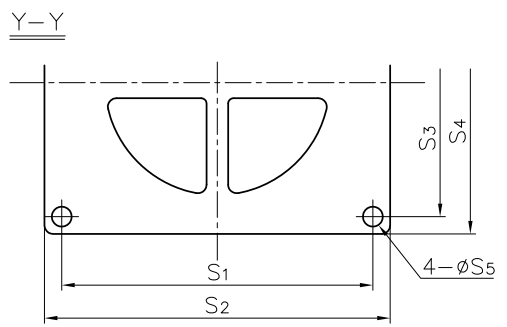
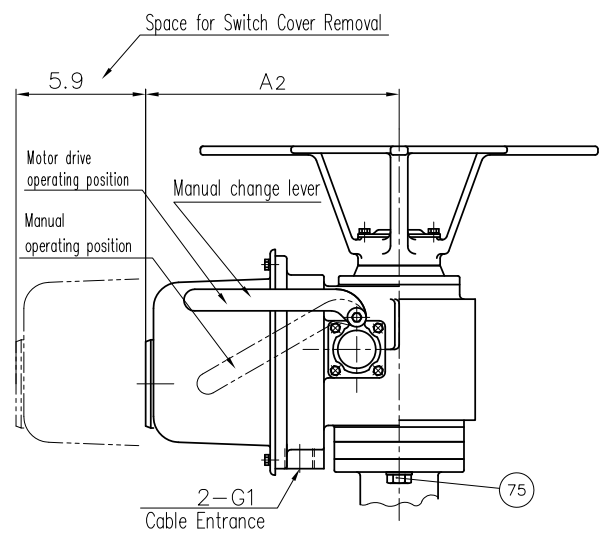
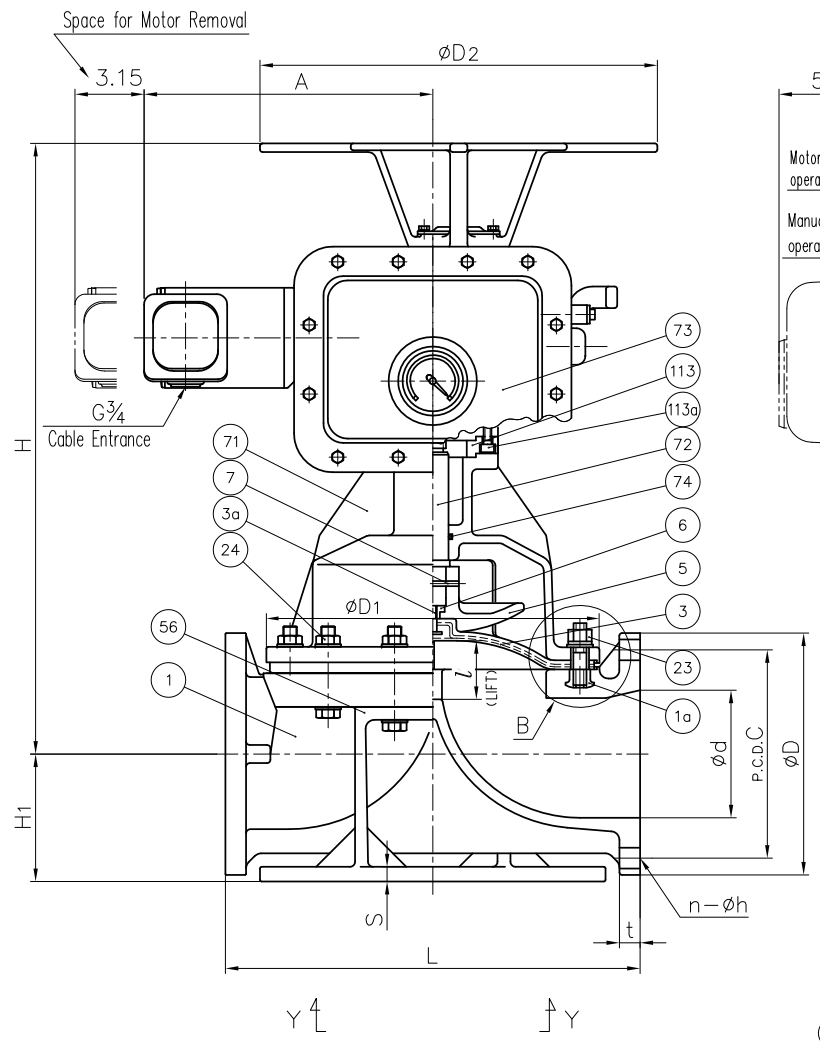


"B" Part

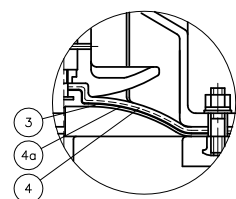
NOTE.

- Diaphragms except EPDM and PTFE are available in FKM, VIFLON-C (FKM-C), VIFLON-F (FKM-F), CSM and NBR when required.
- The shape and appearance of assembly differ a little with nominal size compared to this drawing.

| No.  | DESCRIPTION                     | QTY.  | MATERIAL  | REMARKS  |
|------|---------------------------------|-------|---|--|
| 1a   | INSERTED NUT                    | 4     | COPPER ALLOY (C3604)<br>STAINLESS STEEL (SUS304)  | Used for PVC,C-PVC,PP Body<br>Used for PVDF Body |
| 113a | BOLT (F)                        | 4     | STAINLESS STEEL (SUS304)  |  |
| 113  | SPACER                          | 1     | SS400   | Epoxy Coat.                                      |
| 75   | BOLT (B)                        | 4set  | STAINLESS STEEL (SUS304)  |  |
| 74   | O-RING (H)                      | 1     | NBR   |  |
| 73   | ACTUATOR                        | 1     | CAST ALUMINIUM ALLOY (FC250 etc.)   | Epoxy Coat.                                      |
| 72   | STEM (B)                        | 1     | STAINLESS STEEL (SUS403)  |  |
| 71   | BONNET (B)                      | 1     | CAST ALUMINIUM ALLOY (AC4C)   | Epoxy Coat.                                      |
| 56   | STAND (A)                       | 1     | CAST ALUMINIUM ALLOY (AC4C)   | Epoxy Coat.                                      |
| 29   | CONICAL SPRING WASHER           | 12set | STAINLESS STEEL (SUS304)  | Used for PVDF Body                               |
| 24   | BOLT · NUT                      | 8set  | STAINLESS STEEL (SUS304)  |  |
| 23   | STUD BOLT · NUT                 | 4set  | STAINLESS STEEL (SUS304)  |  |
| 7    | COMPRESSOR PIN                  | 1     | STAINLESS STEEL (SUS304)  |  |
| 6    | COMPRESSOR NUT                  | 1     | COPPER ALLOY (C3604)  |  |
| 5    | COMPRESSOR                      | 1     | PVDF  |  |
| 4a   | CUSHION COVER                   | 1     | <input type="checkbox"/> Nothing (standard)<br><input type="checkbox"/> PVDF                          | Used for PTFE Diaphragm                          |
| 4    | CUSHION                         | 1     | <input type="checkbox"/> EPDM<br><input type="checkbox"/> Others ( )                                  | Used for PTFE Diaphragm                          |
| 3a   | INSERTED METAL OF DIAPHRAGM (A) | 1     | STAINLESS STEEL (SUS304)  |  |
| 3    | DIAPHRAGM                       | 1     | <input type="checkbox"/> EPDM<br><input type="checkbox"/> PTFE<br><input type="checkbox"/> Others ( ) |  |
| 1    | BODY                            | 1     | <input type="checkbox"/> PVC<br><input type="checkbox"/> PP<br><input type="checkbox"/> PVDF          |  |



In case material of diaphragm is PTFE.



In case material of diaphragm is PTFE with cushion cover.

DIMENSIONS TABLE

| NOMINAL SIZE |       | ANSI Class 150 |       |      |   |      |       |      |      |       |       | ACTUATOR MODEL |       |      |       |       |      |       |       |       |       |      |                   |                     |
|--------------|-------|----------------|-------|------|---|------|-------|------|------|-------|-------|----------------|-------|------|-------|-------|------|-------|-------|-------|-------|------|-------------------|---------------------|
| d            | D     | C              | n     | h    | L | t    | PVC   | PP   | PVDF | D1    | D2    | l              | H     | H1   | A     | A2    | S    | S1    | S2    | S3    | S4    | S5   | AUTO RECOVER TYPE | MANUAL RECOVER TYPE |
| 6"           | 150mm | 5.83           | 11.00 | 9.50 | 8 | 0.88 | 18.90 | 0.94 | 1.06 | 15.16 | 18.11 | 2.76           | 28.11 | 5.83 | 14.06 | 11.54 | 0.63 | 14.17 | 15.75 | 12.20 | 13.78 | 0.91 | LTMD-01           | LTKD-01             |

UNIT : inch

|                   |  |                           |       |
|-------------------|--|---------------------------|-------|
| ITEM              | DIAPHRAGM VALVE (TYPE 15) ELECTRIC ACTUATED S TYPE ASSY<br>ANSI Class150 : FLANGED END<br>6" (150mm) |                           |       |
| DRAWN             | M.Iwakiri  | DATE                      | SCALE |
| CHECKED           | H.Kawano   | AUG.20.2019               |       |
| APPROVED          | K.Koushou  | DRAWING No.<br>D5-AE003AE |       |
| SPECIAL ORDER No. | ASAHI YUKIZAI CORPORATION  |                           |       |