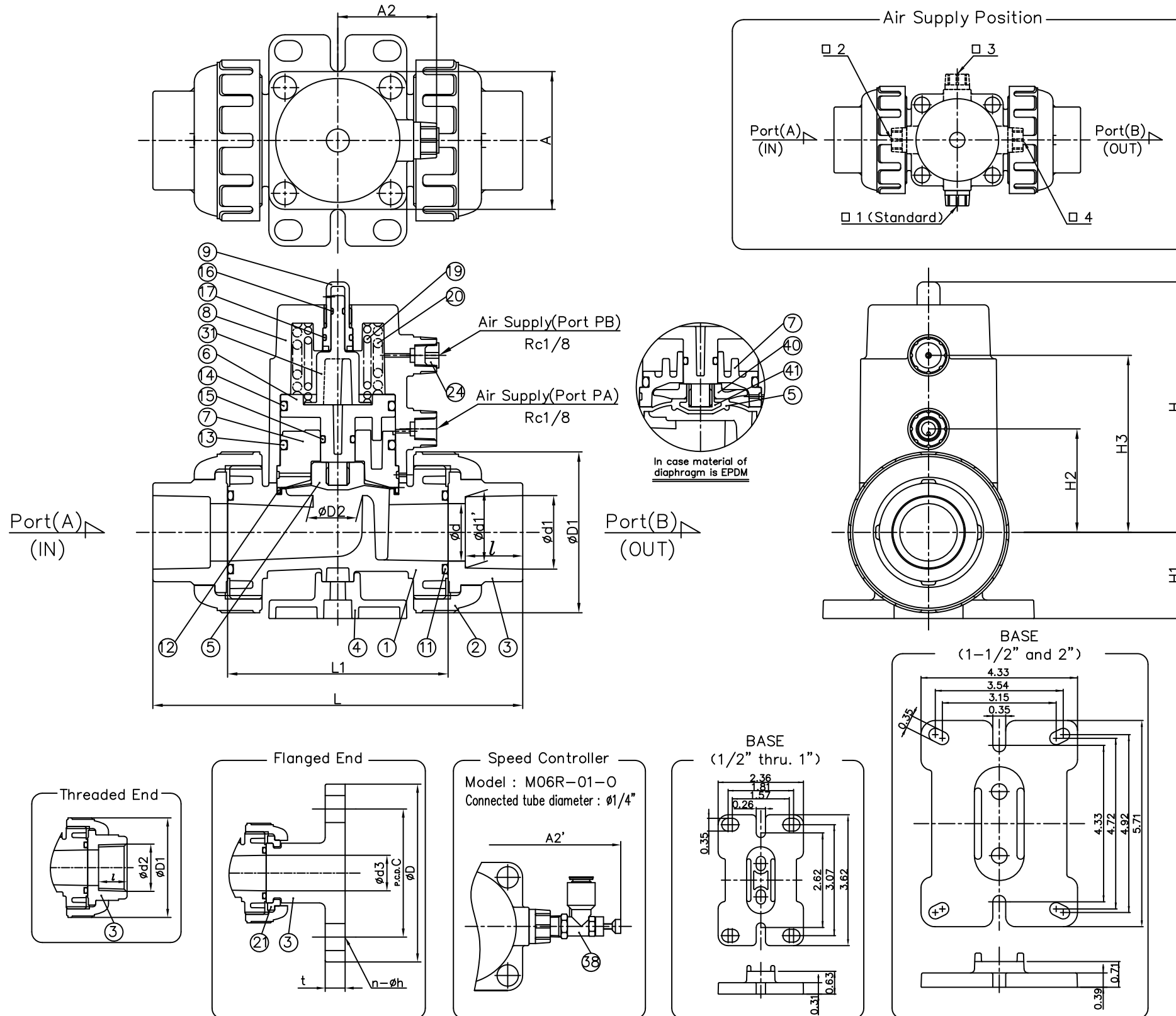


DIMENSIONS TABLE

UNIT: inch

NOMINAL SIZE	SOCKET END														THREADED END				FLANGED END				L1	D1	D2	H	H1	H2	H3	A	A2	A2' (MAX)
	PVC				PVC				PVC																							
	ASTM SCH80								ANSI CLASS 150																							
	d	d1	d1'	l	L	d2	l	L	d3	D	C	n	h	L	t																	
1/2" 15mm	0.61	0.848	0.836	0.875	5.04	1/2-14NPT	0.59	4.61	0.59	3.50	2.38	4	0.62	6.22	0.47	3.11	1.89	0.63	3.11	1.30	1.30	2.36	1.97	1.49	2.79							
3/4" 20	0.81	1.058	1.046	1.000	5.83	3/4-14NPT	0.67	5.47	0.79	3.88	2.75	4	0.62	7.52	0.55	3.46	2.36	0.87	4.25	1.44	1.73	2.99	2.36	1.69	2.99							
1" 25	0.98	1.325	1.310	1.125	6.44	1-11/2NPT	0.79	5.89	0.98	4.25	3.12	4	0.62	8.09	0.55	3.72	2.76	0.87	4.29	1.48	1.77	3.03	2.36	1.69	2.99							
1 1/2" 40	1.57	1.912	1.894	1.375	9.29	1 1/2-11/2NPT	0.98	8.46	1.57	5.00	3.88	4	0.62	10.39	0.63	5.75	3.94	1.57	6.36	2.09	2.68	4.53	3.74	2.36	3.68							
2" 50	1.97	2.387	2.369	1.500	10.71	2-11/2NPT	1.10	10.24	1.97	6.00	4.75	4	0.75	11.69	0.63	6.97	4.96	1.97	7.42	2.60	3.27	5.39	4.53	2.77	4.07							

NOTE
 1. Operating pressure : Air To Open : 0.4MPa - 0.5MPa
 Double Acting : 0.3MPa - 0.4MPa
 2. Air To Open : Valve Open : Port(PA) Supply
 : Valve Close : Port(PB) Exhaust
 Double Acting : Valve Open : Port(PA) Supply, Port(PB) Exhaust
 : Valve Close : Port(PA) Exhaust, Port(PB) Supply
 3. Choose a position of Air Supply and Speed Controller
 4. The shape and appearance of assembly differ a little with nominal size compared to this drawing.
 5. The diaphragm material of 1-1/2" and 2" is only PTFE.



41	INSERTED METAL OF DIAPHRAGM	1	STAINLESS STEEL (SUS304)	Used For EPDM diaphragm
40	COMPRESSOR	1	PVDF	Used For EPDM diaphragm
38	SPEED CONTROLLER	1	POM/ COPPERALLOY (C3604BD)	Air To Open <input type="checkbox"/> Attached <input type="checkbox"/> Nothing
		2		Double Acting <input type="checkbox"/> Attached <input type="checkbox"/> Nothing
31	INDICATOR (A)	1	1-1/2" and 2" : PP 1/2" thru. 1" : ABS	
30	NUT	4	STAINLESS STEEL (SUSXM7)	Does Not Figure
29	SPRING WASHER	4		
28	WASHER	4		
26	BOLT (B)	2		
25	BOLT (A)	4		
24	PLUG	1	EPDM	Used For Air To Open
22	CAP (A)	8		Does Not Figure
21	STOP RING	2	PVDF	Used For Flanged End
20	SPRING (B) 1)	1	STAINLESS STEEL (SUS304)	Used For Air To Open 1) used for size : 3/4"~2"
19	SPRING (A)	1		used for size : 1/2"~1"
17	O-RING (G)	1	<input type="checkbox"/> EPDM <input type="checkbox"/> FKM <input type="checkbox"/> FKM-F	
16	O-RING (F)	1		
15	O-RING (E)	1		
14	O-RING (D)	1		
13	O-RING (C)	1		
12	O-RING (B)	1		Used For PTFE diaphragm
11	O-RING (A)	2		
9	GAUGE COVER (A)	1	PC	
8	CYLINDER BODY	1		
7	BUSH	1	PPSG	
6	PISTON	1		
5	DIAPHRAGM	1	<input type="checkbox"/> PTFE <input type="checkbox"/> EPDM	
4	BASE	1		
3	END CONNECTOR	2	PVC	
2	UNION NUT	2		
1	BODY	1		

DIAPHRAGM VALVE TYPE16 PNEUMATIC ACTUATED MODEL TYPE AD ASS'Y
 AIR TO OPEN , DOUBLE ACTING
 ANSI : SOCKET END , THREADED END , FLANGED END
 1/2" (15mm) ~ 2" (50mm)

NO.	DESCRIPTION	NO. REQ'D	MATERIAL	REMARKS
DRAWN	S.Hagihara	DATE	MAY.18.2007	SCALE
CHECKED	T.Hanada	DRAWING No.		
APPROVED	K.Ohnishi	D6-AA001AE		
SPECIAL ORDER No.	ASAHI YUKIZAI CORPORATION			