

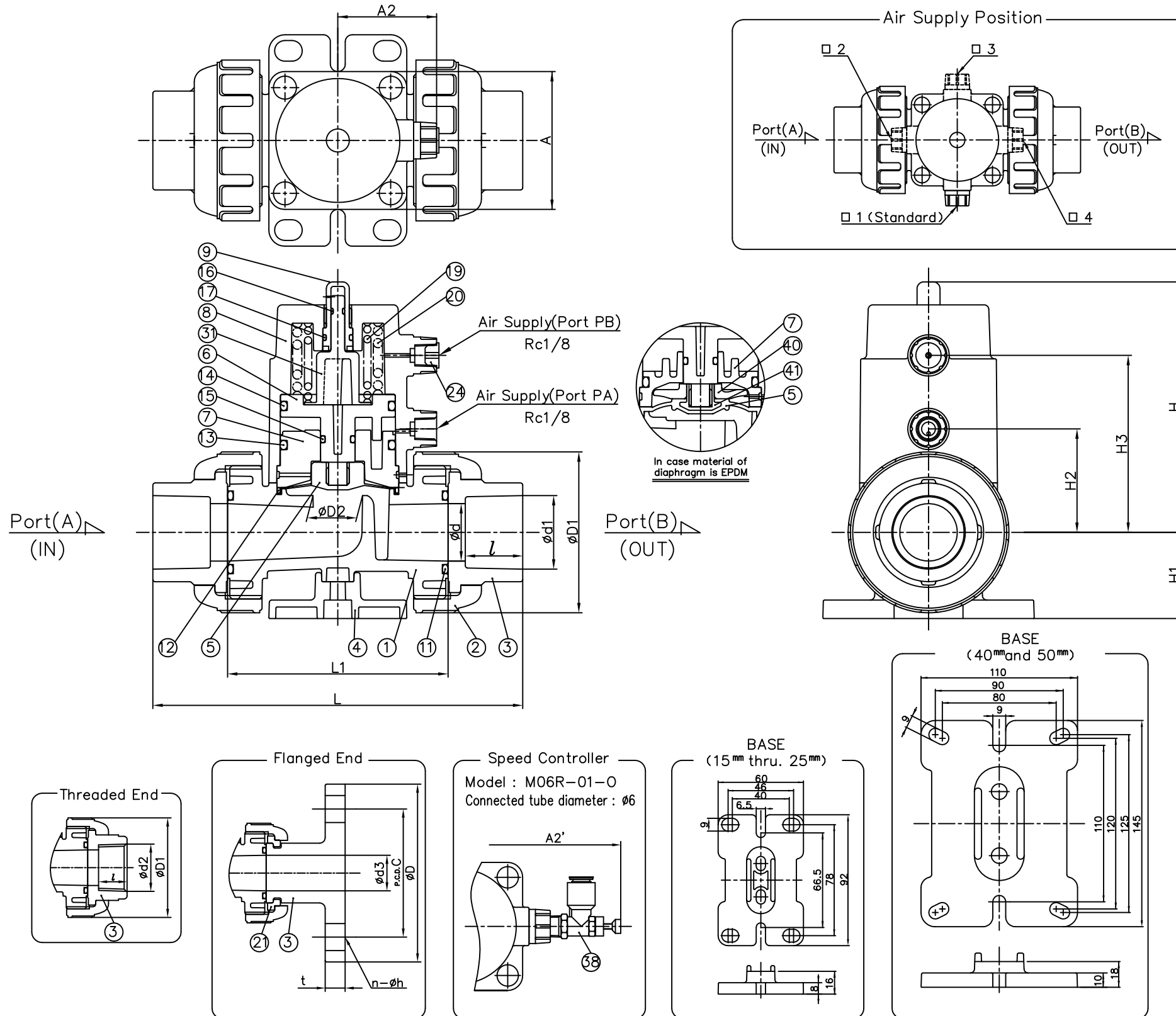
DIMENSIONS TABLE

UNIT: mm

NOMINAL SIZE	d	SOCKET END			THREADED END			FLANGED END						L1	D1	D2	H	H1	H2	H3	A	A2	A2' (MAX)	
		PVC			PVC			PVC																
		DIN 8063						DIN PN 10																
d1	l	L	d2	l	L	d3	D	C	n	h	L	t												
15 ^{mm} 1/2"	15.5	20	16	117.0	Rp1/2	15	117.0	15	95	65.0	4	14	145.0	12	79.0	48	16	79.0	33.0	33	60	□50	38	71
20 3/4"	20.5	25	19	138.0	Rp3/4	17	139.0	20	105	75.0	4	14	169.0	14	88.0	60	22	108.0	36.5	44	76	□60	43	76
25 1"	25	32	22	149.5	Rp1	20	149.5	25	115	85.0	4	14	178.5	14	94.5	70	22	109.0	37.5	45	77	□60	43	76
40 1 1/2"	40	50	31	216.0	Rp1 1/2	25	215.0	40	150	110.0	4	18	252.0	16	146.0	100	40	161.5	53.0	68	115	□95	60	93.5
50 2"	50	63	38	260.0	Rp2	28	260.0	51	165	125.0	4	18	293.0	16	177.0	126	50	188.5	66.0	83	137	□115	70.5	103.5

NOTE

- Operating pressure : Air To Open : 0.4MPa – 0.5MPa
Double Acting : 0.3MPa – 0.4MPa
- Air To Open : Valve Open : Port(PA) Supply
: Valve Close : Port(PB) Exhaust
Double Acting : Valve Open : Port(PA) Supply,Port(PB) Exhaust
: Valve Close : Port(PA) Exhaust,Port(PB) Supply
- Choose a position of Air Supply and Speed Controller
- The shape and appearance of assembly differ a little with nominal size compared to this drawing.
- The diaphragm material of 40mm and 50mm is only PTFE.



No.	DESCRIPTION	No.REQ'D	MATERIAL	REMARKS
41	INSERTED METAL OF DIAPHRAGM	1	STAINLESS STEEL (SUS304)	Used For EPDM diaphragm
40	COMPRESSOR	1	PVDF	Used For EPDM diaphragm
38	SPEED CONTROLLER	1	POM/ COPPERALLOY (C3604BD)	Air To Open <input type="checkbox"/> Attached <input type="checkbox"/> Nothing
		2		Double Acting <input type="checkbox"/> Attached <input type="checkbox"/> Nothing
31	INDICATOR (A)	1	40 ^{mm} and 50 ^{mm} : PP 15 ^{mm} thru. 25 ^{mm} : ABS	
30	NUT	4	STAINLESS STEEL (SUSXM7)	Does Not Figure
29	SPRING WASHER	4		
28	WASHER	4		
26	BOLT (B)	2		
25	BOLT (A)	4		
24	PLUG	1	EPDM	Used For Air To Open
22	CAP(A)	8		Does Not Figure
21	STOP RING	2	PVDF	Used For Flanged End
20	SPRING (B) ¹⁾	1	STAINLESS STEEL (SUS304)	Used For Air To Open
19	SPRING (A)	1		¹⁾ used for size : 20-50 ^{mm} used for size : 15-25 ^{mm}
17	O-RING (G)	1	□ EPDM □ FKM □ FKM-F	
16	O-RING (F)	1		
15	O-RING (E)	1		
14	O-RING (D)	1		
13	O-RING (C)	1		
12	O-RING (B)	1		
11	O-RING (A)	2		
9	GAUGE COVER (A)	1	PC	
8	CYLINDER BODY	1		
7	BUSH	1	PPSG	
6	PISTON	1		
5	DIAPHRAGM	1	□ PTFE □ EPDM	
4	BASE	1		
3	END CONNECTOR	2	PVC	
2	UNION NUT	2		
1	BODY	1		

DIAPHRAGM VALVE TYPE16 PNEUMATIC ACTUATED MODEL TYPE AD ASS'Y
 AIR TO OPEN, DOUBLE ACTING
 DIN : SOCKET END, THREADED END, FLANGED END
 15^{mm} (1/2") ~ 50^{mm} (2")

DRAWN	S.Hagihara	DATE	SCALE
CHECKED	T.Hanada	MAY.18.2007	~
APPROVED	K.Ohnishi	DRAWING No. D6-AA001DE	
SPECIAL ORDER No.	ASAHI YUKIZAI CORPORATION		