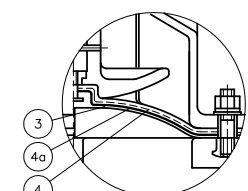
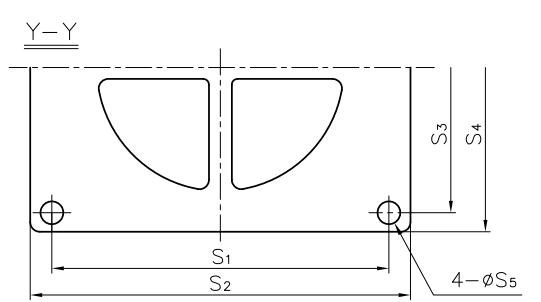


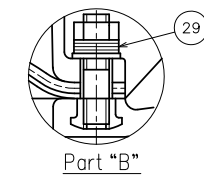
In case of PTFE Diaphragm.



In case of PTFE Diaphragm with Cushion Cover.



In case of PVDF Body



Part "B"

NOTE.

- Diaphragms except EPDM and PTFE are available in FKM, VIFLON-C (FKM-C), VIFLON-F (FKM-F), CSM and NBR when required.
- The shape and appearance of assembly differ a little with nominal size compared to this drawing.

No.	DESCRIPTION	QTY.	MATERIAL	REMARKS
1a	INSERTED NUT	-	STAINLESS STEEL (SUS304) COPPER ALLOY (C3604)	Used for PVDF Body Used for PVC,PP Body
113a	BOLT (F)	4	STAINLESS STEEL (SUS304)	
113	SPACER	1	STEEL (SS400)	Epoxy Coat.
75	BOLT (B)	4	STAINLESS STEEL (SUS304)	
74	O-RING (H)	1	NBR	
73	ACTUATOR	1	CAST IRON (FC250) etc.	Epoxy Coat.
72	STEM (B)	1	STAINLESS STEEL (SUS304)	
71	BONNET (B)	1	CAST ALUMINIUM ALLOY (AC4C)	Epoxy Coat.
56	STAND (A)	1	CAST ALUMINIUM ALLOY (AC4C)	Epoxy Coat.
29	CONICAL SPRING WASHER	-	STAINLESS STEEL (SUS304)	Used for PVDF Body
24	BOLT · NUT (A)	-	STAINLESS STEEL (SUS304)	
23	STUD BOLT · NUT	-	STAINLESS STEEL (SUS304)	
7	COMPRESSOR PIN	1	STAINLESS STEEL (SUS304)	
5	COMPRESSOR	1	Chromized CAST IRON (FC200)	
4a	CUSHION COVER	1	<input type="checkbox"/> Nothing <input type="checkbox"/> PVDF	Used for PTFE Diaphragm
4	CUSHION	1	EPDM	Used for PTFE Diaphragm
3a	INSERTED METAL OF DIAPHRAGM (A)	1	STAINLESS STEEL (SUS304)	
3	DIAPHRAGM	1	<input type="checkbox"/> EPDM <input type="checkbox"/> PTFE <input type="checkbox"/> Others ( )	
1	BODY	1	<input type="checkbox"/> PVC <input type="checkbox"/> PP <input type="checkbox"/> PVDF	

DIMENSIONS TABLE

NOMINAL SIZE	DIN PN10																		ACTUATOR MODEL						
	d	D	C	n	h	L	t		D1	D2	l	A	A1	A2	A3	H	H1	S	S1	S2	S3	S4	S5	RETURN BY	RETURN BY
							U-PVC	PP/PVDF																AUTOMATIC TYPE	MANUAL TYPE
200mm 8"	196	340	295	8	22	600	30	34	430	460	95	357	80	293	150	802	179	20	390	440	330	380	23	LTMD-01	LTKD-01
250 10	247	395	350	12	22	730	34	36	540	460	128	375	80	328	160	969	215	23	470	540	390	460	25	LTMD-02	LTKD-02

UNIT:mm

DIAPHRAGM VALVE (TYPE 72) ELECTRIC ACTUATED S TYPE ASSY  
DIN PN10 : FLANGED END  
200mm (8") · 250mm (10")

DRAWN	M.Iwakiri	DATE	SCALE
CHECKED	H.Kawano	FEB.12.2019	~
APPROVED	K.Koushou	DF-AE001DE	4

SPECIAL ORDER No. **ASAHI YUKIZAI CORPORATION**