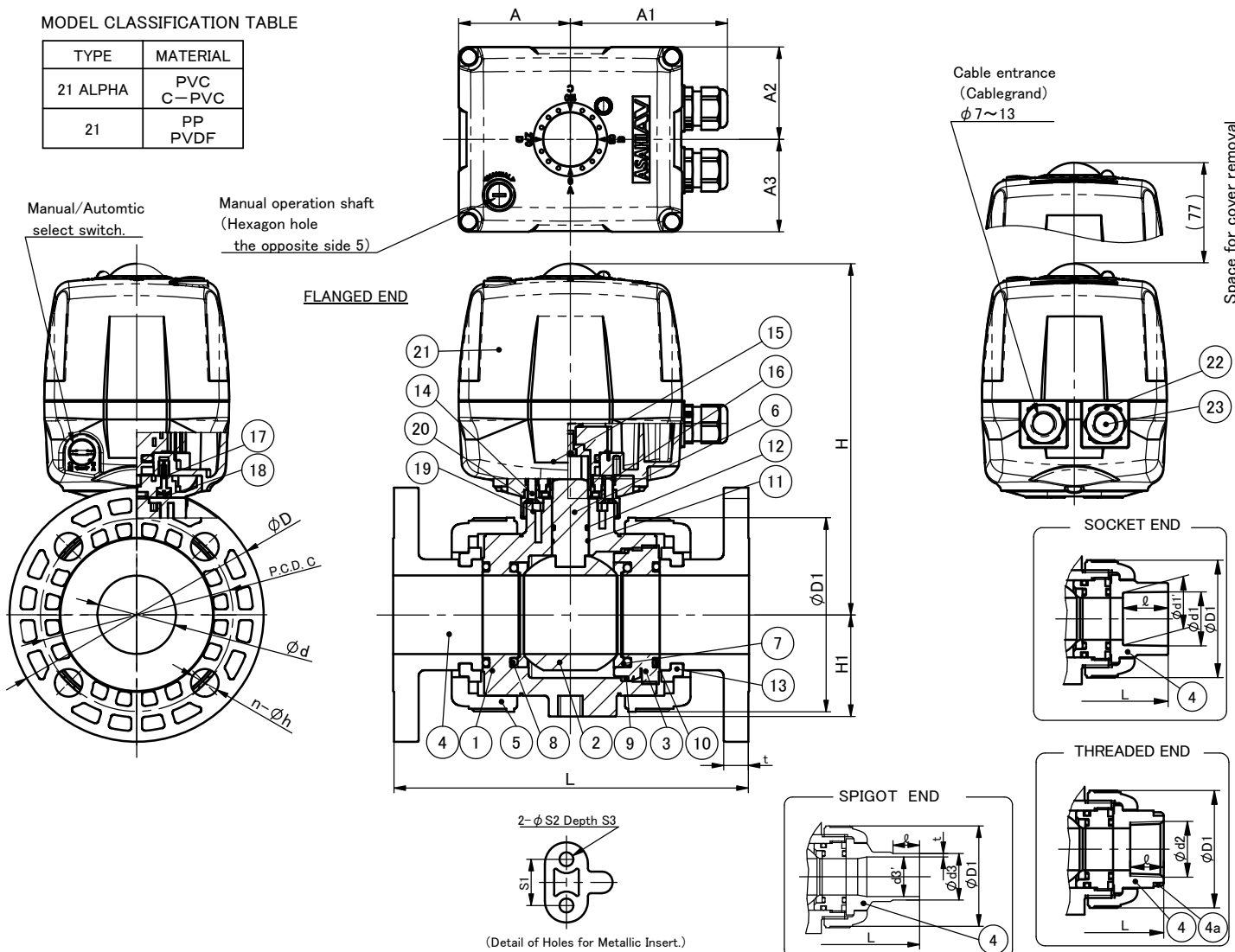


DIMENSION TABLE

NOMINAL SIZE	d	Unit:mm																									Actuator Type										
		FLANGED END						SOCKET END						THREADED END				SPIGOT END																			
		DIN PN10						PVC, C-PVC			PP, PVDF			L	PVC	PP, PVDF																					
		D	C	n	h	L	t	d1	ℓ	L	d1	d1'	ℓ			L	d2	ℓ	PVC C-PVC	PP PVDF	d3	d3'	ℓ	d3	ℓ	t1		L									
15mm	1/2"	15	95	65	4	14	130	12	20	16	102	19.5	19.3	14.5	99	Rp1/2	15	102	100	20	15	18.5	20	18.5	2.5	1.9	124	48	186	29	72.5	102	60	60	19	7.3	11
20	3/4	20	105	75	4	14	150	14	25	19	119	24.5	24.3	16	113	Rp3/4	17	120	119	25	20	24	25	22	2.7	1.9	144	60	192	35	72.5	102	60	60	19	7.3	11
25	1	25	115	85	4	14	160	14	32	22	131	31.5	31.3	18	123	Rp 1	20	131	130	32	25	24.5	32	22.5	3.0	2.4	154	70	199	39	72.5	102	60	60	19	7.3	11
32	1 1/4	32	140	100	4	18	180	16	40	26	150	39.45	39.2	20.5	139	Rp1 1/4	22	150	146	40	31	28	40	26	3.7	2.4	174	82	208	47	72.5	102	60	60	30	9	15
40	1 1/2	40	150	110	4	18	200	16	50	31	164	49.45	49.2	23.5	149	Rp1 1/2	25	163	160	50	40	34	50	32	4.6	3.0	194	100	216.5	55	72.5	102	60	60	30	9	15
50	2	51	165	125	4	18	230	16	63	38	197	62.5	62.1	27.5	176	Rp 2	28	197	194	63	51	38	63	36	5.8	3.0	224	126	228	66	72.5	102	60	60	30	9	15

MODEL CLASSIFICATION TABLE

TYPE	MATERIAL
21 ALPHA	PVC C-PVC
21	PP PVDF



No.	DESCRIPTION	QTY.	MATERIAL	REMARKS
4a	RING	2	SUS304	Used for C-PVC Body. Threaded End:15~25mm
23	Cablegrand ceiling plug	1	CR	
22	Cablegrand	2	PA	
21	ACTUATOR	1	PC etc.	AV-Z-025
20	Bolt	2	SUS304	
19	Base Plate	1	PPG	
18	Rubber Cap(M5)	4	EPDM	
17	Bolt	4	SUS304	
16	Nut	2	SUS304	
15	Bush	1	SMF5040	
14	Connector Plate	1	PC-GF	
13	Stop Ring	2	PVDF	
12	O-ring	1	<input type="checkbox"/> EPDM <input type="checkbox"/> FKM <input type="checkbox"/> Others ()	
11	O-ring	1		
10	O-ring	2		
9	O-ring	1		
8	O-ring	2		
7	Seat	2	PTFE	
6	Stem	1	<input type="checkbox"/> PVC <input type="checkbox"/> C-PVC <input type="checkbox"/> PP <input type="checkbox"/> PVDF	
5	Union nut	2		
4	End connector	2		
3	Carrier	1		
2	Ball	1		
1	Body	1		

ITEM	BALL VALVE(TYPE21-21ALPHA) ELECTRIC MODEL Z TYPE ASSY DIN <input type="checkbox"/> FLANGED END, <input type="checkbox"/> SOCKET END, <input type="checkbox"/> THREADED END, <input type="checkbox"/> SPIGOT END 15mm(1/2") ~ 50mm(2")		
DRAWN	M. Iwakiri	DATE	SCALE
CHECKED	T. Iwamoto	Mar. 9, 2022	~
APPROVED	K. Koushou	DRAWING No.	
SPECIAL ORDER No.	IB-AE017DE		
ASAHI YUKIZAI CORPORATION			