

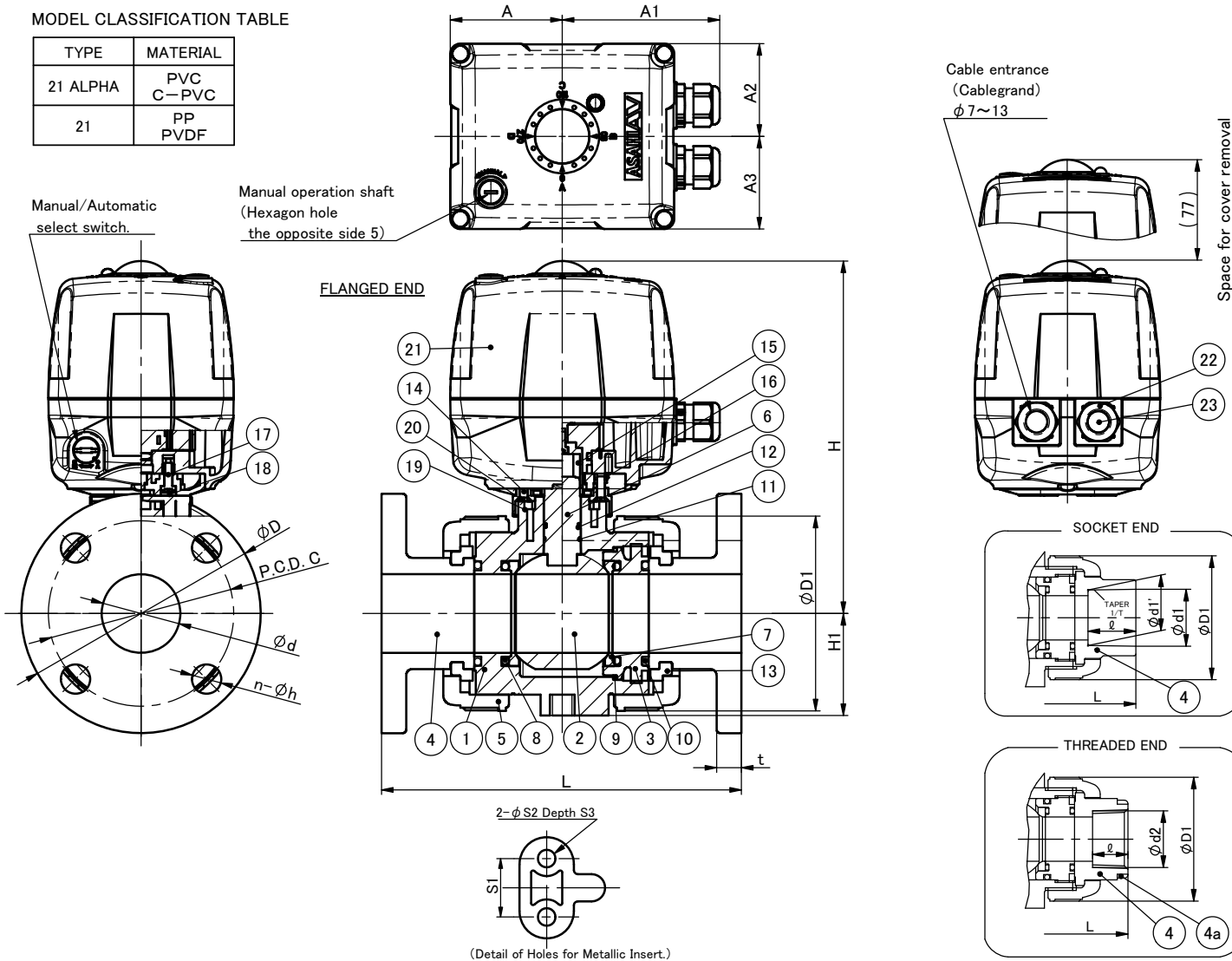
DIMENSION TABLE

Unit : mm

| Nominal Size | d | FLANGED END | | | | | | | | | | SOCKET END | | | | | | | | THREADED END | | | D1 | H | H1 | A | A1 | A2 | A3 | S1 | S2 | S3 | Actuator Type | | |
|--------------|-------|-------------|-----|-----|---|----|--------|-----|---|-----|-----|------------|-------|----|------|-----------|---------|------|----|--------------|--------|----|-----|-----|-----|-------|----|------|-----|----|----|----|---------------|----|----------|
| | | JIS5K | | | | | JIS10K | | | | | PVC, C-PVC | | | | PP | | | | d2 | ℓ | L | | | | | | | | | | | | | |
| | | D | C | n | h | L | t | d1 | ℓ | 1/T | L | d1 | d1' | ℓ | L | PVC C-PVC | PP PVDF | | | | | | | | | | | | | | | | | | |
| 15mm | 1/2" | 15 | 80 | 60 | 4 | 12 | 95 | 70 | 4 | 15 | 143 | 12 | 22.11 | 20 | 1/34 | 109 | 21.2 | 20.2 | 20 | 108 | Rc1/2 | 15 | 102 | 110 | 48 | 186 | 29 | 72.5 | 102 | 60 | 60 | 19 | 7.3 | 11 | AV-Z-025 |
| 20 | 3/4 | 20 | 85 | 65 | 4 | 12 | 100 | 75 | 4 | 15 | 172 | 14 | 26.13 | 24 | 1/34 | 128 | 26.2 | 25.2 | 23 | 126 | Rc3/4 | 17 | 120 | 119 | 60 | 192 | 35 | 72.5 | 102 | 60 | 60 | 19 | 7.3 | 11 | |
| 25 | 1 | 25 | 95 | 75 | 4 | 12 | 125 | 90 | 4 | 19 | 187 | 14 | 32.16 | 27 | 1/34 | 145 | 33.0 | 32.0 | 25 | 141 | Rc 1 | 20 | 131 | 130 | 70 | 199 | 39 | 72.5 | 102 | 60 | 60 | 19 | 7.3 | 11 | |
| 32 | 1 1/4 | 32 | 115 | 90 | 4 | 15 | 135 | 100 | 4 | 19 | 190 | 16 | 38.19 | 30 | 1/34 | 162 | - | - | - | - | Rc11/4 | 22 | 150 | 146 | 82 | 208 | 47 | 72.5 | 102 | 60 | 60 | 30 | 9 | 15 | |
| 40 | 1 1/2 | 40 | 120 | 95 | 4 | 15 | 140 | 105 | 4 | 19 | 212 | 16 | 48.21 | 37 | 1/37 | 189 | 47.0 | 46.0 | 28 | 171 | Rc11/2 | 25 | 163 | 160 | 100 | 216.5 | 55 | 72.5 | 102 | 60 | 60 | 30 | 9 | 15 | |
| 50 | 2 | 51 | 130 | 105 | 4 | 15 | 155 | 120 | 4 | 19 | 234 | 16 | 60.25 | 42 | 1/37 | 220 | 59.0 | 58.0 | 28 | 192 | Rc 2 | 28 | 197 | 194 | 126 | 228 | 66 | 72.5 | 102 | 60 | 60 | 30 | 9 | 15 | |

MODEL CLASSIFICATION TABLE

| TYPE | MATERIAL |
|----------|--------------|
| 21 ALPHA | PVC C-PVC |
| 21 | PP PVDF |



| No. | DESCRIPTION | QTY. | MATERIAL | REMARKS |
|-----|-------------------------|------|---------------------------------|---|
| 4a | RING | 2 | SUS304 | Used for C-PVC Body. Threaded End:15~25mm |
| 23 | Cablegrand ceiling plug | 1 | CR | |
| 22 | Cablegrand | 2 | PA | |
| 21 | ACTUATOR | 1 | PC etc. | AV-Z-025 |
| 20 | Bolt | 2 | SUS304 | |
| 19 | Base Plate | 1 | PPG | |
| 18 | Rubber Cap(M5) | 4 | EPDM | |
| 17 | Bolt | 4 | SUS304 | |
| 16 | Nut | 2 | SUS304 | |
| 15 | Bush | 1 | SMF5040 | |
| 14 | Connector Plate | 1 | PC-GF | |
| 13 | Stop Ring | 2 | PVDF | |
| 12 | O-ring | 1 | □EPDM □FKM □Others () | |
| 11 | O-ring | 1 | | |
| 10 | O-ring | 2 | | |
| 9 | O-ring | 1 | | |
| 8 | O-ring | 2 | | |
| 7 | Seat | 2 | PTFE | |
| 6 | Stem | 1 | □PVC □C-PVC □PP □PVDF | |
| 5 | Union nut | 2 | | |
| 4 | End connector | 2 | | |
| 3 | Carrier | 1 | | |
| 2 | Ball | 1 | | |
| 1 | Body | 1 | | |

| | | | |
|-------------------|---|------------------------|-------|
| ITEM | BALL VALVE(TYPE21:21ALPHA) ELECTRIC MODEL Z TYPE ASSY JIS: FLANGED END (□JIS 5K, □JIS 10K), □ SOCKET END, □ THREADED END 15mm(1/2") ~ 50mm(2") | | |
| DRAWN | M. Iwakiri | DATE | SCALE |
| CHECKED | T. Iwamoto | Jul. 20, 2021 | ~ |
| APPROVED | K. Kouhou | DRAWING No. IB-AE017JE | |
| SPECIAL ORDER No. | ASAHYUKIZAI CORPORATION | | |