

DIMENSIONS TABLE

Nominal Size	FLANGED END								SOCKET END						THREADED END			
	ANSI Class 150								PVC,C-PVC			PP,PVDF			L			
	D	C	n	h	L	t	ASTM SCH80			L	d ₁	l	L	d ₂	l	PVC C-PVC	PP PVDF	
							d ₁	d ₁ '	l	L	d ₁	l	L	d ₂	l			
1/2"	15mm	3.50	2.38	4	0.62	5.63	0.47	0.848	0.836	0.875	4.45	0.83	0.87	4.41	1/2 -14NPT	0.59	4.02	3.94
3/4	20	3.88	2.75	4	0.62	6.77	0.55	1.058	1.046	1.000	5.08	1.03	1.00	5.00	3/4 -14NPT	0.67	4.72	4.69
1	25	4.25	3.12	4	0.62	7.36	0.55	1.325	1.310	1.125	5.71	1.30	1.13	5.63	1 -11 1/2 NPT	0.79	5.16	5.12
1 1/4	32	4.62	3.50	4	0.62	7.48	0.63	1.670	1.655	1.250	6.46	1.65	1.25	6.30	1 1/4 -11 1/2 NPT	0.87	5.91	5.75
1 1/2	40	5.00	3.88	4	0.62	8.35	0.63	1.912	1.894	1.375	7.24	1.89	1.37	7.05	1 1/2 -11 1/2 NPT	0.98	6.42	6.30
2	50	6.00	4.75	4	0.75	9.21	0.63	2.387	2.369	1.500	8.23	2.36	1.50	8.03	2 -11 1/2 NPT	1.10	7.76	7.64

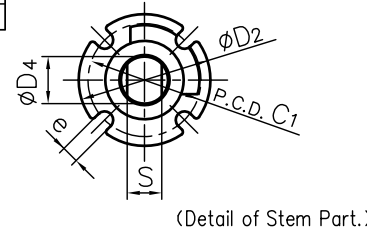
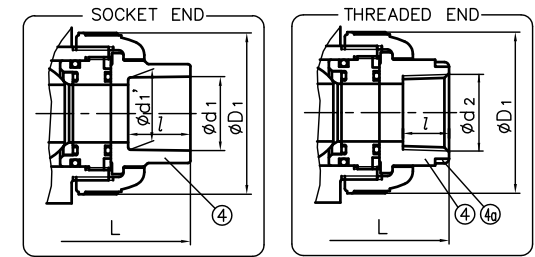
MODEL CLASSIFICATION TABLE

TYPE	MATERIAL
21 ALPHA	PVC C-PVC
21	PP PVDF

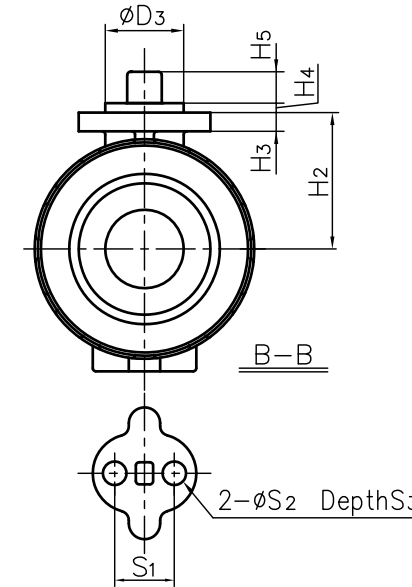
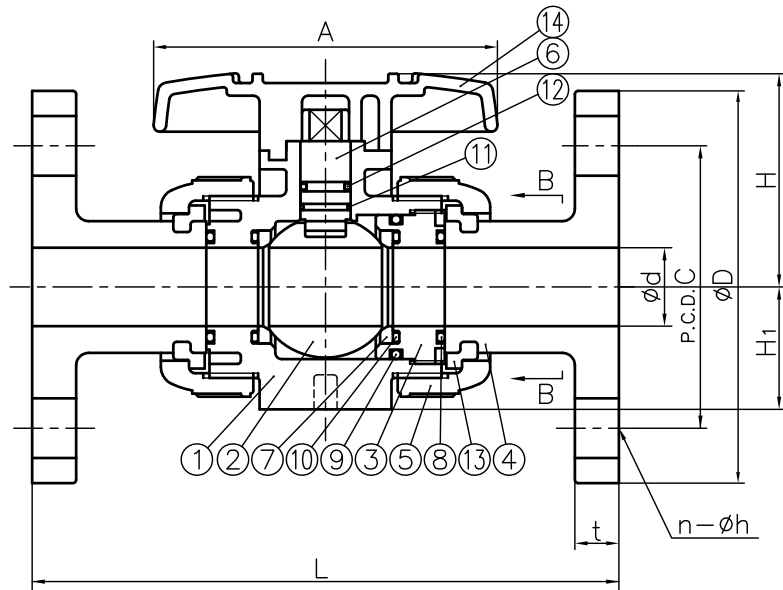
Unit: inch

Nominal Size	d	D ₁	D ₂	D ₃	D ₄	C ₁	H	H ₁	H ₂	H ₃	H ₄	H ₅	A	S	S ₁	S ₂	S ₃	e	
1/2"	15mm	0.59	1.89	1.65	0.98	0.53	1.42	2.03	1.14	1.18	0.24	0.12	0.31	3.62	0.41	0.75	0.29	0.43	0.22
3/4	20	0.79	2.36	1.65	0.98	0.59	1.42	2.34	1.38	1.44	0.24	0.12	0.39	3.94	0.43	0.75	0.29	0.43	0.22
1	25	0.98	2.76	1.65	0.98	0.59	1.42	2.68	1.54	1.71	0.24	0.12	0.39	4.33	0.43	0.75	0.29	0.43	0.22
1 1/4	32	1.26	3.23	1.89	1.18	0.75	1.65	3.17	1.85	2.07	0.31	0.12	0.39	4.76	0.59	1.18	0.35	0.59	0.22
1 1/2	40	1.57	3.94	2.24	1.38	0.91	1.97	3.50	2.17	2.40	0.39	0.12	0.47	5.16	0.71	1.18	0.35	0.59	0.26
2	50	2.01	4.96	2.24	1.38	0.91	1.97	4.04	2.60	2.85	0.39	0.12	0.47	6.26	0.71	1.18	0.35	0.59	0.26

NOTE. The shape and appearance of assembly differ a little with nominal size and material compared to this drawing.



FLANGED END



(Detail of Holes for Metallic Insert.)

No.	DESCRIPTION	QTY.	MATERIAL	REMARKS
4a	RING	2	STAINLESS STEEL (SUS304)	Used for C-PVC Body, Threaded End: 1/2" - 1"
14	HANDLE	1	ABS	
13	STOP RING	2	PVDF	Used for Flanged End
12	O-RING (E)	1		
11	O-RING (D)	1	□EPDM	
10	O-RING (C)	2	□FKM	
9	O-RING (B)	1	□Others	()
8	O-RING (A)	2		
7	SEAT	2	PTFE	
6	STEM	1		
5	UNION NUT	2		
4	END CONNECTOR	2	□PVC □C-PVC	
3	CARRIER	1	□PP □PVDF	
2	BALL	1		
1	BODY	1		

ITEM	BALL VALVE (TYPE21 · 21ALPHA) ASS'Y ANSI □FLANGED END, □SOCKET END, □THREADED END 1/2" (15mm) ~ 2" (50mm)		
DRAWN	M.Yamamoto	DATE	SCALE
CHECKED	H.Kawano	SEP.30.2009	
APPROVED	Y.Ozaki	DRAWING No.	
SPECIAL ORDER No.	IB-M1001AE		
ASAHI YUKIZAI CORPORATION			