

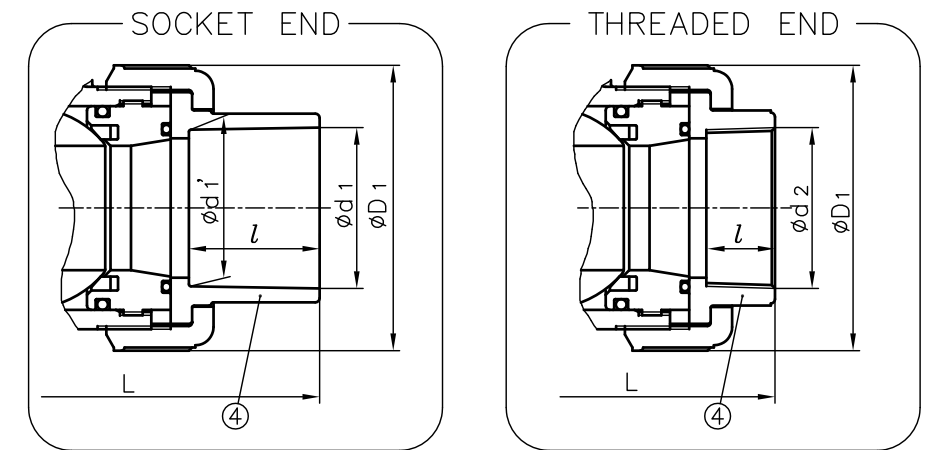
DIMENSIONS TABLE

NOMINAL SIZE	FLANGED END									SOCKET END (IPS)								THREADED END							
	ANSI Class 150				L					PVC, C-PVC				PP, PVDF				L							
	D	C	n	h	PVC			t	ASTM SCH40		ASTM SCH80		d ₁	l	PP	PVDF	d ₂	l	L						
					C-PVC	PP	PVDF		d ₁	d ₁ '	l	L							C-PVC	PP	PVDF				
2 1/2" 65mm	7.00	5.50	4	0.75	10.20	10.12	10.08	0.71	—	—	—	—	2.889	2.868	1.750	9.45	2.880	1.752	9.37	9.33	2 1/2-8 NPT	1.26	8.46	8.39	8.35
3 80	7.50	6.00	4	0.75	12.05	12.01	11.89	0.71	—	—	—	—	3.516	3.492	1.875	11.14	3.480	1.874	11.10	10.98	3-8 NPT	1.38	10.43	10.39	10.28
4 100	9.00	7.50	8	0.75	14.72	14.72	14.53	0.71	4.518	4.491	2.000	13.86	—	—	—	—	4.480	2.252	14.37	14.13	4-8 NPT	1.77	14.25	14.25	14.06

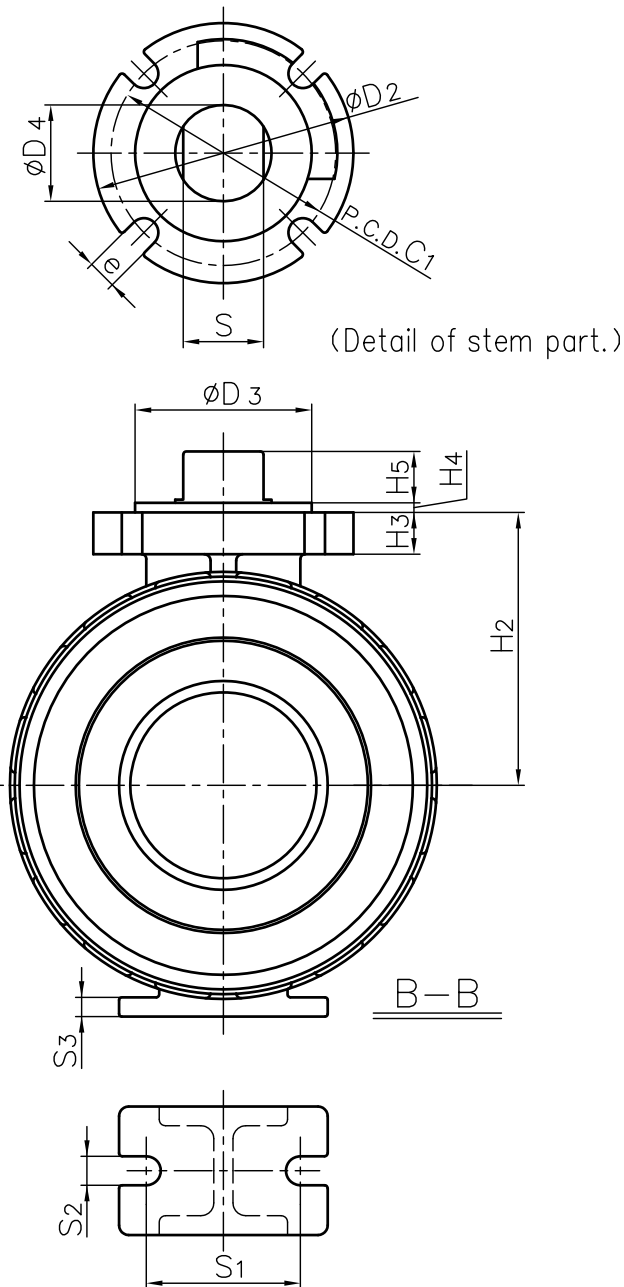
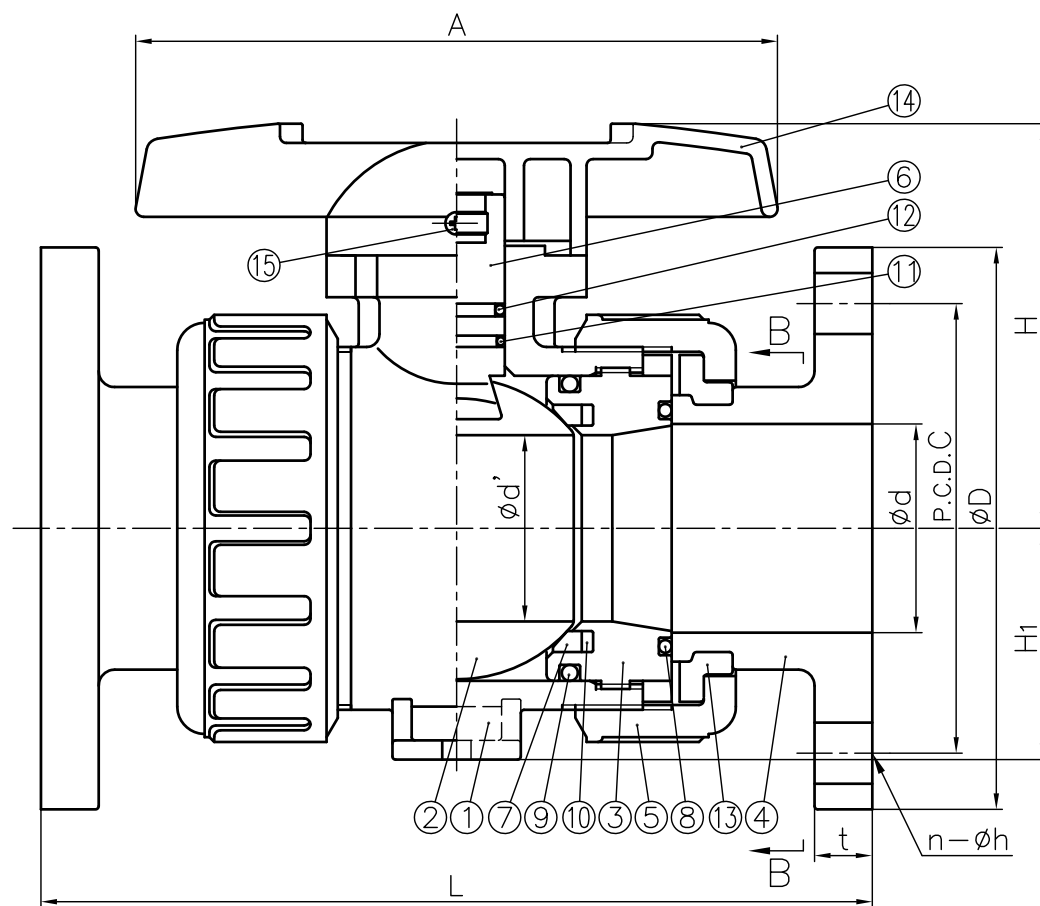
UNIT: inch

NOMINAL SIZE	d	d'	D ₁	D ₂	D ₃	D ₄	C ₁	H	H ₁	H ₂	H ₃	H ₄	H ₅	A	S	S ₁	S ₂	S ₃	e
2 1/2" 65mm	2.56	2.28	5.24	3.19	2.17	1.18	2.76	4.96	2.83	3.35	0.51	0.12	0.63	7.87	0.94	1.89	0.35	0.24	0.35
3 80	3.07	2.70	5.98	3.19	2.17	1.18	2.76	5.51	3.35	3.70	0.51	0.12	0.75	9.45	0.94	2.17	0.43	0.28	0.35
4 100	3.94	3.54	8.27	4.57	2.76	1.57	4.02	7.01	4.33	4.96	0.63	0.12	0.91	11.81	1.34	2.56	0.43	0.31	0.43

NOTE. The shape and appearance of assembly differ a little with nominal size compared to this drawing.



FLANGED END



15	TAPPING SCREW (A)	1	STAINLESS STEEL (SUS304)	
14	HANDLE	1	ABS	
13	STOP RING	2	PVDF	used for flanged end
12	O-RING(E)	1	□EPDM □FKM □Others ()	
11	O-RING(D)	1		
10	CUSHION	2		
9	O-RING(B)	2		
8	O-RING(A)	2		
7	SEAT	2	PTFE	
6	STEM	1	□PVC □C-PVC □PP □PVDF	
5	UNION NUT	2		
4	END CONNECTOR	2		
3	CARRIER	2		
2	BALL	1		
1	BODY	1		
No.	DESCRIPTION	QTY.	MATERIAL	REMARKS

ITEM	BALL VALVE (TYPE 21) ASS'Y ANSI □FLANGED END, □SOCKET END, □THREADED END 2 1/2" (65mm) ~ 4" (100mm)		
DRAWN	K.Sakiyama	DATE	SCALE
CHECKED	H.Kawano	FAB.16.2015	~
APPROVED	K.Kamita	DRAWING No.	
SPECIAL ORDER No.		IB-M1002AE	4
ASAHI YUKIZAI CORPORATION			