

DIMENSIONS TABLE

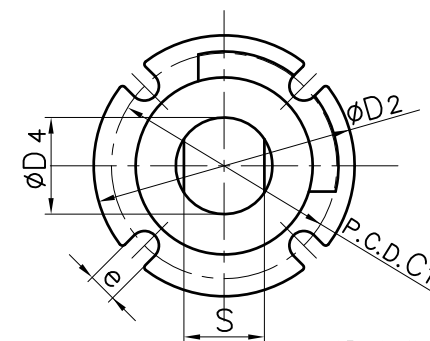
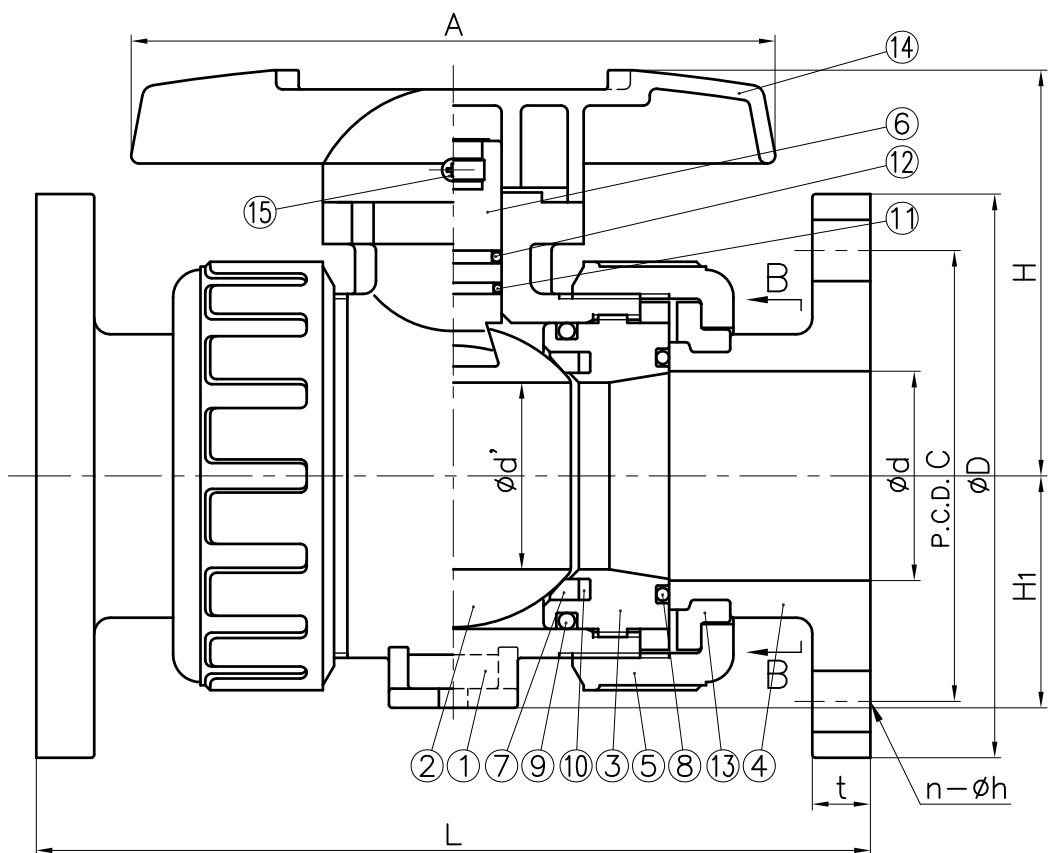
NOMINAL SIZE	FLANGED END												SOCKET END								THREADED END					
	JIS 5K				JIS 10K				L				PVC, C-PVC				PP				d ₂	l	L			
	D	C	n	h	D	C	n	h	PVC C-PVC	PP	PVDF	t	d ₁	l	1/T	L	d ₁	d ₁ '	l	L			PVC C-PVC	PP	PVDF	
65mm 2½"	155	130	4	15	175	140	4	19	261	257	256	18	76.60	61	1/48	273	75.0	73.0	35	219	Rc 2½	32	215	213	212	
80	3	180	145	4	19	185	150	8	19	306	305	302	18	89.60	64	1/49	316	88.0	86.0	35	257	Rc 3	35	265	264	261
100	4	200	165	8	19	210	175	8	19	374	374	369	18	114.70	84	1/56	419	113.0	111.0	45	341	Rc 4	45	362	362	357

UNIT: mm

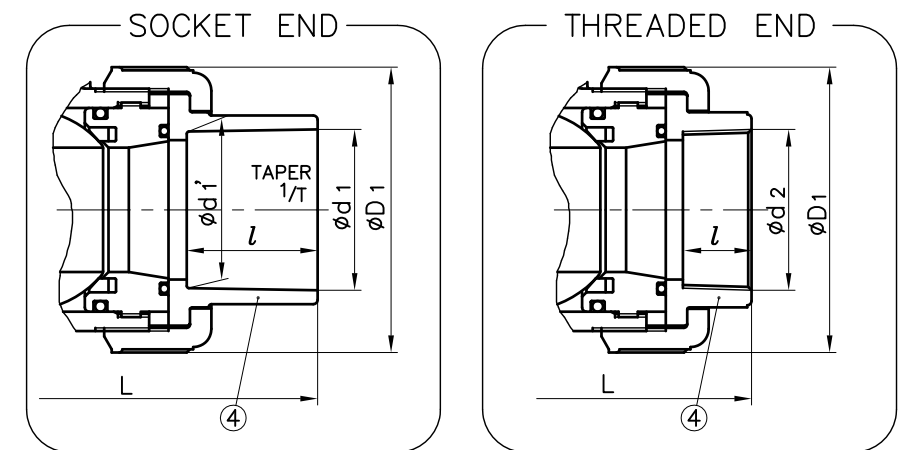
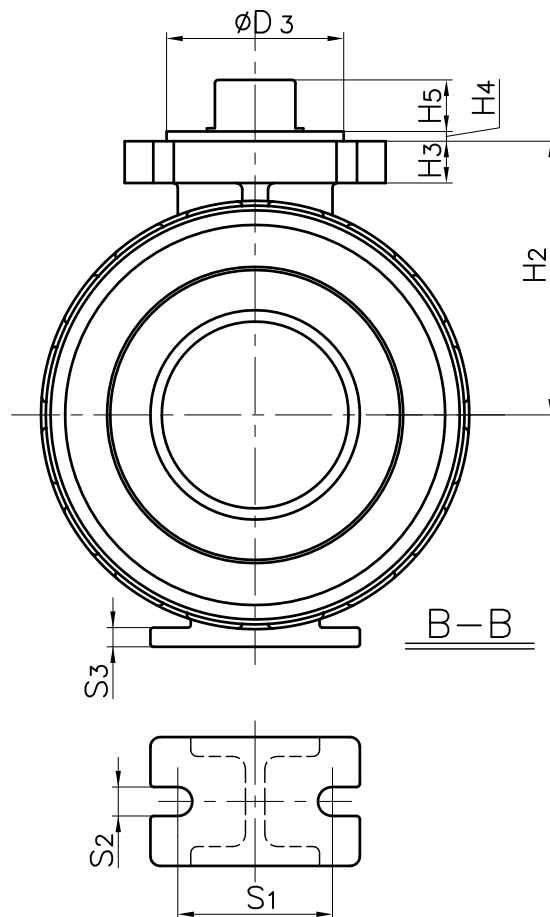
NOMINAL SIZE	d	d'	D ₁	D ₂	D ₃	D ₄	C ₁	H	H ₁	H ₂	H ₃	H ₄	H ₅	A	S	S ₁	S ₂	S ₃	e	
65mm 2½"	65	58	133	81	55	30	70	126	72	85	13	3	16	200	24	48	9	6	9	
80	3	78	68.5	152	81	55	30	70	140	85	94	13	3	19	240	24	55	11	7	9
100	4	100	90	210	116	70	40	102	178	110	126	16	3	23	300	34	65	11	8	11

NOTE. The shape and appearance of assembly differ a little with nominal size compared to this drawing.

FLANGED END



(Detail of stem part.)



15	TAPPING SCREW (A)	1	STAINLESS STEEL (SUS304)	
14	HANDLE	1	ABS	
13	STOP RING	2	PVDF	used for flanged end
12	O-RING (E)	1	□EPDM	
11	O-RING (D)	1	□FKM	
10	CUSHION	2	□Others	
9	O-RING (B)	1	()	
8	O-RING (A)	2		
7	SEAT	2	PTFE	
6	STEM	1	□PVC	
5	UNION NUT	2	□C-PVC	
4	END CONNECTOR	2	□PP	
3	CARRIER	2	□PVDF	
2	BALL	1		
1	BODY	1		
No.	DESCRIPTION	No.REQ'D	MATERIAL	REMARKS

BALL VALVE (TYPE 21) ASS'Y
 JIS : FLANGED END (□JIS 5K, □JIS 10K)
 □ SOCKET END, □ THREADED END
 65mm (2½") ~ 100mm (4")

DRAWN	M.Oosako	DATE	JUL.17.2008	SCALE	~
CHECKED	H.Kawano	DRAWING No.			
APPROVED	Y.Ozaki	IB-M1002JE		4	
SPECIAL ORDER No.	ASAHI YUKIZAI CORPORATION				