

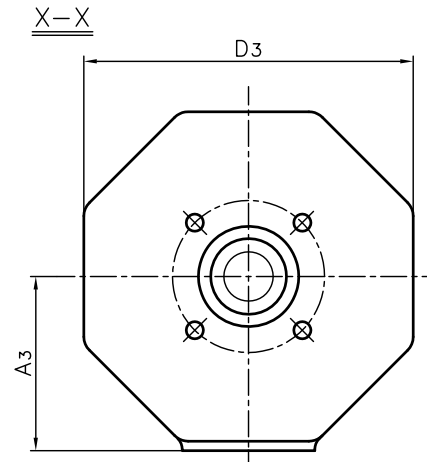
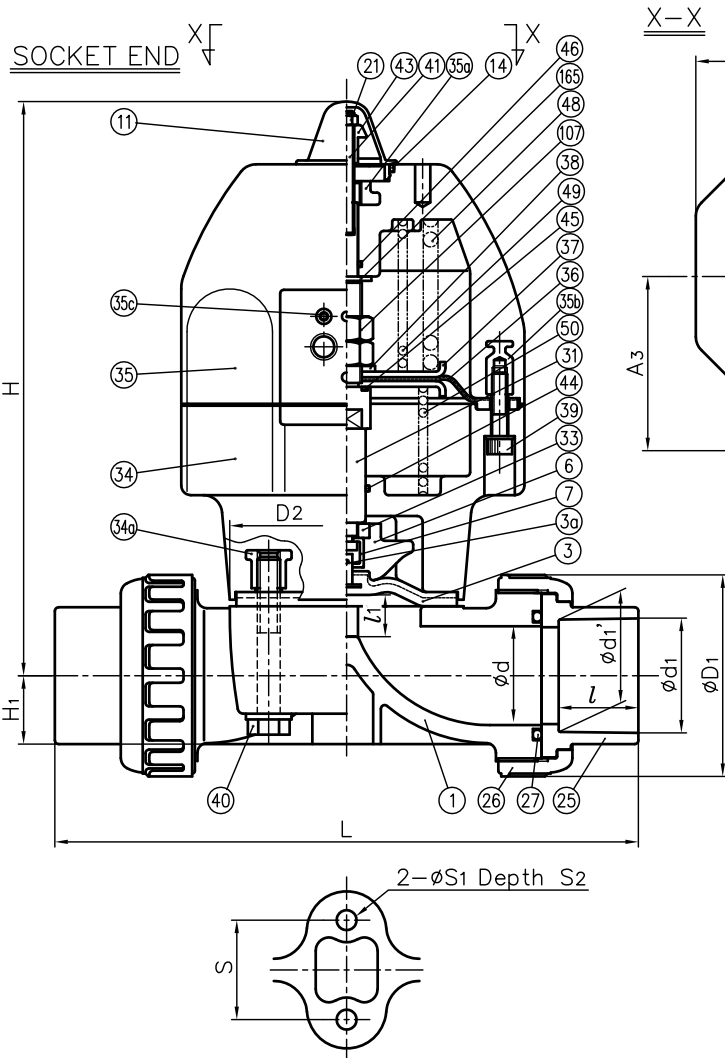
DIMENSIONS TABLE

UNIT:mm

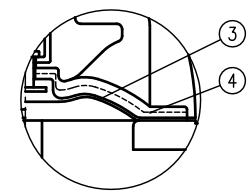
NOMINAL SIZE	SOCKET END												THREADED END				SPIGOT END													
	PVC,C-PVC						PP,PVDF						L	PVC				PP,PVDF												
	d	d1	l	L	d1'	l'	d1	d1'	l	L	d2	l		d3	l	d3	l	t	L	D1	D2	D3	L1 (LIFT)	H	H1	A3	S	S1	S2	
15mm 1/2"	16	20	16	128	19.5	19.3	14.5	125	Rp 1/2	15	128	128	20	18.5	150	20	18.5	2.5	1.9	150	48	54x66	130	10	186	19.5	68	25	7	13
20 3/4"	20	25	19	147	24.5	24.3	16	141	Rp 3/4	17	148	148	25	24	172	25	22	2.7	1.9	172	60	54x66	130	10	186	17.5	68	25	7	13
25 1"	25	32	22	172	31.5	31.3	18	164	Rp 1	20	172	172	32	24.5	195	32	22.5	3.0	2.4	195	70	67x80	130	12	193	18.5	68	25	7	13
32 1 1/4"	32	40	26	188	39.45	39.2	20.5	177	Rp 1 1/4	22	188	188	40	28	212	40	26	3.7	2.4	212	82	67x80	130	12	197	22.5	68	25	7	13
40 1 1/2"	40	50	31	246	49.45	49.2	23.5	231	Rp 1 1/2	25	245	245	50	34	276	50	32	4.6	3.0	276	100	108x108	174	21	293	27.5	92	45	9	15
50 2"	52	63	38	294	62.5	62.1	27.5	274	Rp 2	28	281	278	63	38.5	308	63	36	5.8	3.0	307	106	123x123	174	25	302	36	92	45	9	15

NOTE.

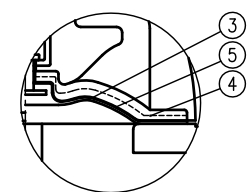
- Operation of permission pressure: 0.4~0.6MPa G
Air to open : 25~50mm : 0.45~0.6MPa G (only fluid pressure is 0)
- Double Acting : Valve open : Port (a) Exhaust Port (b) Supply
Valve shut : Port (a) Supply Port (b) Exhaust
Air To Open : Valve open : Port (a) Supply
Valve shut : Port (b) Exhaust
Air To Shut : Valve open : Port (a) Exhaust
Valve shut : Port (a) Supply
- Diaphragms except EPDM and PTFE are available in FKM, VIFLON-C (FKM-C), VIFLON-F (FKM-F), CSM and NBR when required.
- The shape and appearance of assembly differ a little with nominal size compared to this drawing.



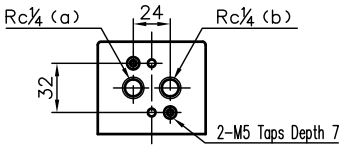
In Case Material of Diaphragm is PTFE



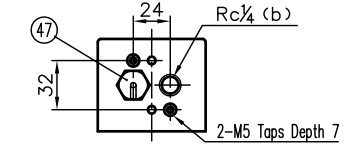
In Case Material of Diaphragm is PTFE with Cushion Cover



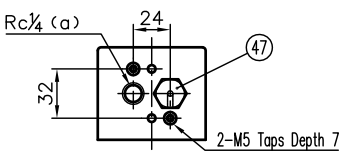
Face of Air Supply (Double Acting)



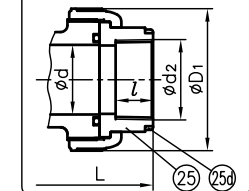
Face of Air Supply (Air to Open)



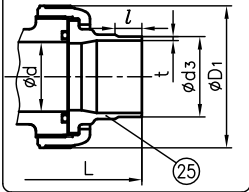
Face of Air Supply (Air to Shut)



THREADED END



SPIGOT END



25d	RING	2	STAINLESS STEEL (SUS304)	Used for C-PVC Body, Threaded End : 15~25mm
165	WASHER	1	STAINLESS STEEL SUS304	
107	LOCK NUT	2	STAINLESS STEEL SUS304	
50	SPRING (C)	1	SPRING STEEL (SWOSM-B)	Used for Air to Shut
49	SPRING (B)	1	SPRING STEEL (SWOSM-B)	Used for Air to Open
48	SPRING (A)	1	SPRING STEEL (SWOSM-B)	Used for Air to Open
47	NIPPLE	1	COPPER ALLOY (C3604)	Used for Air to Shut and Air to Open
46	O-RING (F)	1	NBR	
45	O-RING (E)	1	NBR	
44	O-RING (D)	1	NBR	
43	STOPPER	1	STAINLESS STEEL SUS304	
41	INDICATING LOD	1	STAINLESS STEEL SUS304	
40	BOLT (B)	4	STAINLESS STEEL SUS304	
39	BOLT (A)	8	STAINLESS STEEL SUS304	
38	CONICAL SPRING WASHER (B)	1	STAINLESS STEEL SUS304	
37	CYLINDER DIAPHRAGM PLATE	2	STAINLESS STEEL SUS304	
36	CYLINDER DIAPHRAGM	1	NBR	
35c	SCREWED METAL OF CYLINDER BONNET	2	STAINLESS STEEL SUS303	
35b	INSERTED METAL OF CYLINDER BONNET (B)	8	COPPER ALLOY C3604	
35a	INSERTED METAL OF CYLINDER BONNET (A)	1	STAINLESS STEEL SUS304	
35	CYLINDER BONNET	1	PPG	
34a	INSERTED METAL OF CYLINDER BODY	4	COPPER ALLOY C3604	
34	CYLINDER BODY	1	PPG	
33	COMPRESSOR PUSHING PLATE	1	COPPER ALLOY C3604	
31	STEM	1	COPPER ALLOY C3604	
27	O-RING (C)	2	EPDM Others ()	
21	NUT	1	STAINLESS STEEL SUS304	
14	O-RING (A)	1	EPDM	
11	GAUGE COVER	1	PC	
7	JOINT	1	STAINLESS STEEL SUS304	
6	COMPRESSOR	1	PVDF	
5	CUSHION COVER	1	Nothing PVDF	Used for PTFE Diaphragm
4	CUSHION	1	EPDM	
3a	INSERTED METAL OF DIAPHRAGM	1	STAINLESS STEEL SUS304	
3	DIAPHRAGM	1	EPDM PTFE Others ()	
26	UNION NUT	2	PVC	
25	END CONNECTOR	2	C-PVC PP	
1	BODY	1	PVDF	

No.	DESCRIPTION	QTY.	MATERIAL	REMARKS
ITEM	T.U. DIAPHRAGM VALVE (TYPE4) PNEUMATIC ACTUATED MODEL TYPE AN ASS'Y □DOUBLE ACTING, □AIR TO OPEN, □AIR TO SHUT DIN : □SOCKET END, □THREADED END, □SPIGOT END 15mm (1/2") ~ 50mm (2")			
DRAWN	E.Emmei	DATE	SCALE	
CHECKED	H.Kawano	FEB.12.2019		
APPROVED	K.Koushou	DRAWING No.		
		T1-AA001DE		
SPECIAL ORDER No.	ASAHI YUKIZAI CORPORATION			