

DIMENSIONS TABLE

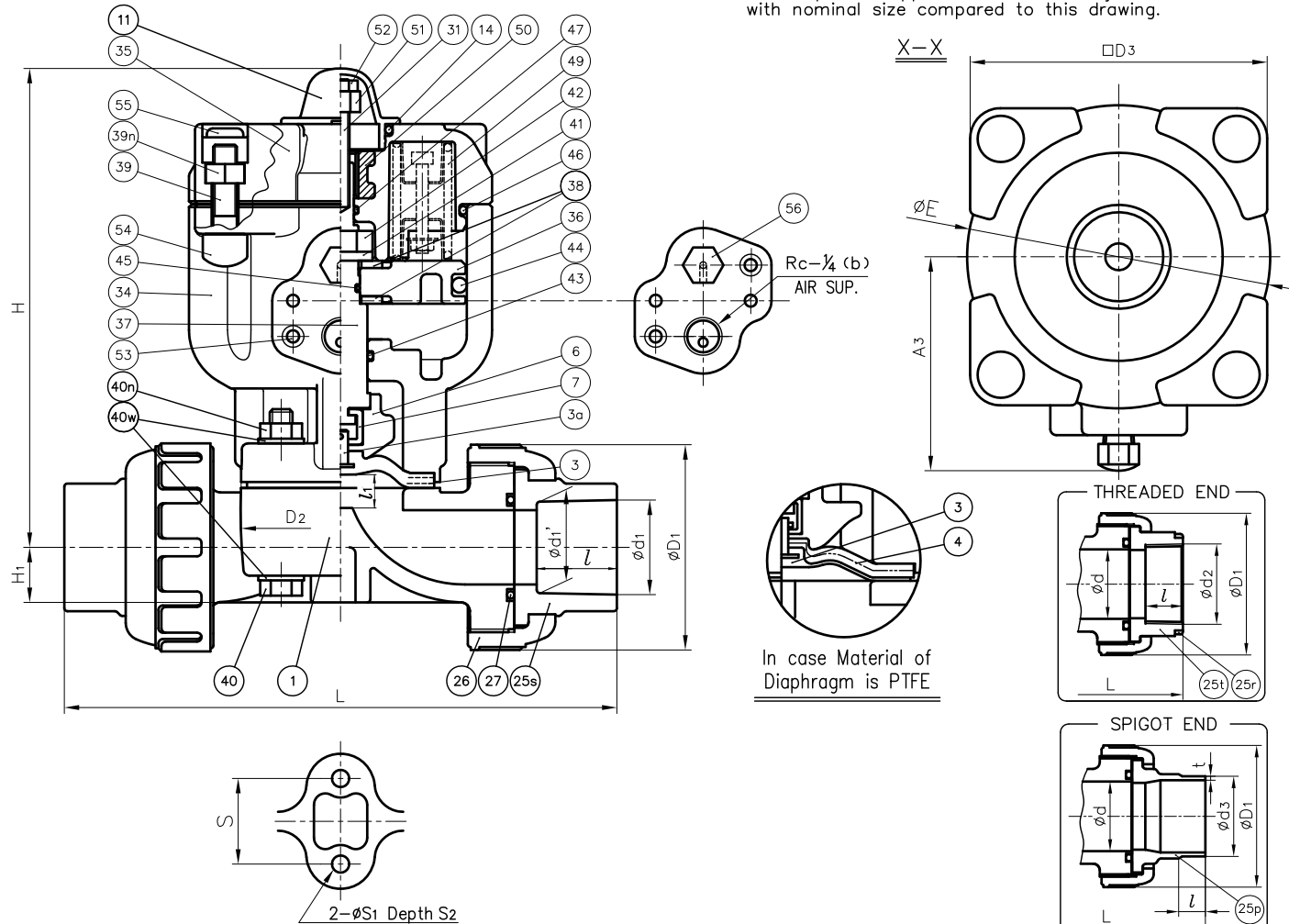
UNIT : mm

NOMINAL SIZE	SOCKET END												THREADED END			SPIGOT END															
	PVC,C-PVC						PP,PVDF						d <sub>2</sub>	l	L	PVC					PP,PVDF										
	d	d <sub>1</sub>	l	L	d <sub>1</sub>	d <sub>1</sub> '	l	L	d <sub>3</sub>	l	L	d <sub>3</sub>				l	L	t	PP	PVDF	L	D <sub>1</sub>	D <sub>2</sub>	D <sub>3</sub>	E	l <sub>1</sub> (LIFT)	H	H <sub>1</sub>	A <sub>3</sub>	S	S <sub>1</sub>
15mm	1/2"	16	20	16	128	19.5	19.3	14.5	125	Rp 1/2	15	128	20	18.5	150	20	18.5	2.5	1.9	150	48	54x66	91	94	8	145	19.5	67	25	7	13
20	3/4"	20	25	19	147	24.5	24.3	16	141	Rp 3/4	17	148	25	24	172	25	22	2.7	1.9	172	60	60x74	91	94	8	153	17.5	67	25	7	13
25	1"	25	32	22	172	31.5	31.3	18	164	Rp 1	20	172	32	24.5	195	32	22.5	3.0	2.4	195	70	67x80	100	102	10	161	18.5	72	25	7	13
32	1 1/4"	32	40	26	188	39.45	39.2	20.5	177	Rp 1 1/4	22	188	40	28	212	40	26	3.7	2.4	212	82	67x80	100	102	10	165	22.5	72	25	7	13

NOTE.

- Operation of permission pressure: (PN0.7)0.4~0.6MPa G  
(PN1.0)0.5~0.6MPa G
- Air to Open : Valve Open : Port (b) Supply  
Valve Shut : Port (b) Exhaust
- The shape and appearance of assembly differ a little with nominal size compared to this drawing.

SOCKET END



25r	RING FOR END CONNECTOR (THREADED END)	2	STAINLESS STEEL (SUS304)	used for C-PVC body, threaded end : 15~25mm
56	NIPPLE	1	COPPER ALLOY (C3604)	
55	CAP	4	EPDM	PN0.7: Red PN1.0: Blue
54	CAP FOR HEXAGON SOCKET HEAD CAP SCREWS	4	PVC	
53	INSERTED METAL OF CYLINDER BODY	2	STAINLESS STEEL (SUS303)	
52	NUT (No.52)	1	STAINLESS STEEL (SUS304)	
51	STOPPER FOR PNEUMATIC ACTUATOR	1	STAINLESS STEEL (SUS304)	
50	INSERTED METAL OF CYLINDER COVER	1	STAINLESS STEEL (SUS304)	
49	SPRING UNIT	-	SWOSC-V etc.	
47	O-RING (No.47)	1	NBR	
46	O-RING (No.46)	1	NBR	
45	O-RING (No.45)	1	NBR	
44	O-RING (No.44)	1	NBR	
43	O-RING (No.43)	1	NBR	
42	NUT (No.42)	1	STAINLESS STEEL (SUS304)	
41	SPRING WASHER	1	STAINLESS STEEL (SUS304)	
40n	NUT (No.40)	4	STAINLESS STEEL (SUS304)	
40w	WASHER (No.40)	8	STAINLESS STEEL (SUS304)	
40	BOLT (No.40)	4	STAINLESS STEEL (SUS304)	
39n	NUT (No.39)	4	STAINLESS STEEL (SUS304)	
39	HEXAGON SOCKET HEAD CAP SCREWS	4	STAINLESS STEEL (SUS304)	
38	WASHER (No.38)	2	STAINLESS STEEL (SUS304)	
37	STEM FOR PNEUMATIC ACTUATOR	1	COPPER ALLOY (C3604)	
36	PISTON	1	PPG	
35	CYLINDER COVER	1	PPG	
34	CYLINDER BODY	1	PPG	
31	INDICATOR ROD	1	STAINLESS STEEL (SUS304)	
27	O-RING (No.27)	2	∅EPDM ∅Others ( )	
14	O-RING (No.14)	1	EPDM	
11	GAUGE COVER	1	PC	
7	JOINT	1	STAINLESS STEEL (SUS304)	
6	COMPRESSOR	1	PVDF	
4	CUSHION	1	EPDM	used for PTFE diaphragm
3a	INSERTED METAL OF DIAPHRAGM	1	STAINLESS STEEL (SUS304)	
3	DIAPHRAGM	1	∅EPDM ∅PTFE ∅Others ( )	
26	UNION NUT	2		
25p	END CONNECTOR (SPIGOT END)	2	∅PVC ∅C-PVC	
25t	END CONNECTOR (THREADED END)	2	∅PP ∅PPVDF	
25s	END CONNECTOR (SOCKET END)	2		
1	BODY	1		

No.	DESCRIPTION	QTY.	MATERIAL	REMARKS
T.U. DIAPHRAGM VALVE PNEUMATIC ACTUATED MODEL TYPE AI ASS'Y AIR TO OPEN ( ∅PN0.7 , ∅PN1.0 ) DIN : ∅ SOCKET END, ∅ THREADED END, ∅ SPIGOT END 15mm (1/2") ~ 32mm (1 1/4")				
DRAWN	E.Emmei	DATE	SCALE	
CHECKED	H.Kawano	DEC.19.2018		
APPROVED	K.Koushou	DRAWING No. T1-AA016DE		
SPECIAL ORDER No.	ASAHI YUKIZAI CORPORATION			