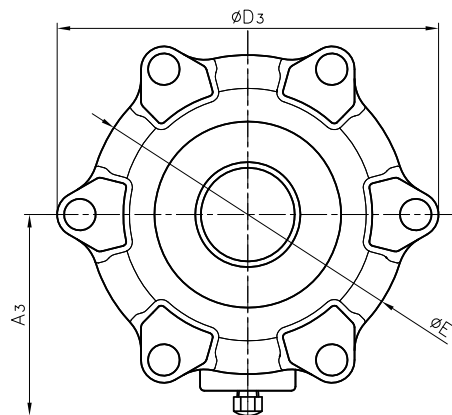


SOCKET END

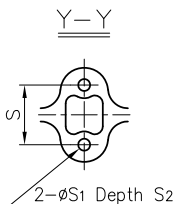
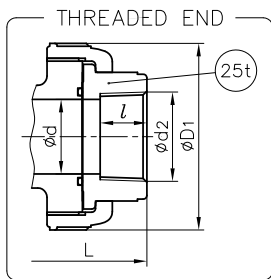
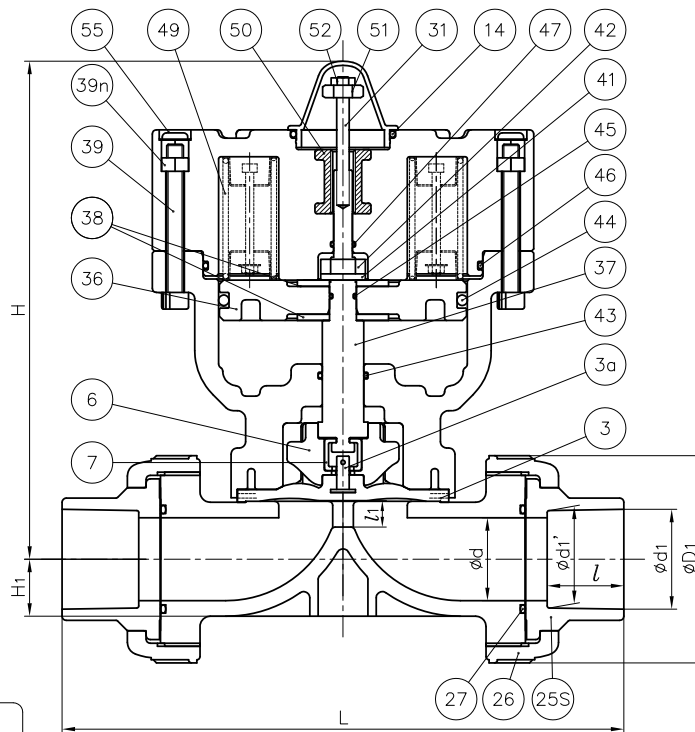
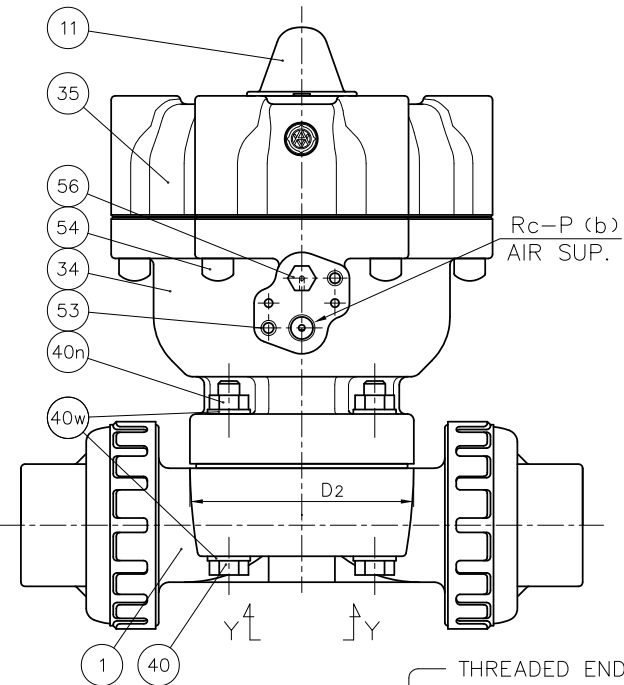


DIMENSIONS TABLE

Nominal Size	SOCKET END							THREADED END					
	PVC, C-PVC				PP, PVDF (IPS)			d_2	l	L			
	ASTM	SCH80	d_1	l	d_1	l	l			PVC C-PVC	PP PVDF		
1½"	40mm	1.57	1.912	1.894	1.375	10.47	1.89	1.37	10.28	1½-11½NPT	0.98	9.65	9.65
2"	50	2.01	2.387	2.369	1.500	11.54	2.36	1.50	11.54	2-11½NPT	1.10	11.06	10.95

Unit : inch

Nominal Size	D_1	D_2	D_3	E	l_1 (LIFT)	H	H_1	A_3	S	S_1	S_2	P	
	1½"	40mm	3.94	4.25×4.25	7.24	6.06	0.71	9.37	1.08	3.82	1.77	0.35	0.59
2"	50	4.17	4.84×4.84	7.24	6.06	0.79	10.00	1.42	3.82	1.77	0.35	0.59	¼



In case Material of Diaphragm is PTFE

NOTE.

- Operation of permission pressure : (PNO.7)0.4~0.6MPa G (PN1.0)0.5~0.6MPa G
- Air To open : Valve open : Port (b) Supply Valve shut : Port (b) Exhaust
- The shape and appearance of assembly differ a little with nominal size compared to this drawing.
- 2" H () : PN1.0

56	NIPPLE	1	COPPER ALLOY (C3604)	
55	CAP	6	EPDM	PNO.7: Red PN1.0: Blue
54	CAP FOR HEXAGON SOCKET HEAD CAP SCREWS	6	PVC	
53	INSERTED METAL OF CYLINDER BODY	2	STAINLESS STEEL (SUS304)	
52	NUT (No.52)	1	STAINLESS STEEL (SUS304)	
51	STOPPER FOR PNEUMATIC ACTUATOR	1	STAINLESS STEEL (SUS304)	
50	INSERTED METAL OF CYLINDER COVER	1	STAINLESS STEEL (SUS304)	
49	SPRING UNIT	-	SWOSC-V etc.	2"(PN1.0):SWOSC-B etc.
47	O-RING (No.47)	1	NBR	
46	O-RING (No.46)	1	NBR	
45	O-RING (No.45)	1	NBR	
44	O-RING (No.44)	1	NBR	
43	O-RING (No.43)	1	NBR	
42	NUT (No.42)	1	STAINLESS STEEL (SUS304)	
41	SPRING WASHER	1	STAINLESS STEEL (SUS304)	
40n	NUT (No.40)	4	STAINLESS STEEL (SUS304)	
40w	WASHER (No.40)	8	STAINLESS STEEL (SUS304)	
40	BOLT (No.40)	4	STAINLESS STEEL (SUS304)	
39n	NUT (No.39)	6	STAINLESS STEEL (SUS304)	
39	BOLT (No.39)	6	STAINLESS STEEL (SUS304)	
38	WASHER (No.38)	2	STAINLESS STEEL (SUS304)	
37	STEM FOR PNEUMATIC ACTUATOR	1	COPPER ALLOY (C3604)	
36	PISTON	1	PPG	
35	CYLINDER COVER	1	PPG	
34	CYLINDER BODY	1	PPG	
31	INDICATOR ROD	1	STAINLESS STEEL (SUS304)	
27	O-RING (No.27)	2	□EPDM □Others ()	
14	O-RING (No.14)	1	EPDM	
11	GAUGE COVER	1	PC	
7	JOINT	1	STAINLESS STEEL (SUS304)	
6	COMPRESSOR	1	PVDF	
4	CUSHION	1	EPDM	used for PTFE diaphragm
3a	INSERTED METAL OF DIAPHRAGM	1	STAINLESS STEEL (SUS304)	
3	DIAPHRAGM	1	□EPDM □PTFE □Others ()	
26	UNION NUT	2		
25t	END CONNECTOR (THREADED END)	2	□PVC □C-PVC	
25s	END CONNECTOR (SOCKET END)	2	□PP □PVDF	
1	BODY	1		
No.	DESCRIPTION	QTY.	MATERIAL	REMARKS

ITEM	T.U. DIAPHRAGM VALVE PNEUMATIC ACTUATED MODEL TYPE AI ASSY AIR TO OPEN (□PNO.7 , □PN1.0) ANSI : □SOCKET END, □THREADED END 1½" (40mm) · 2" (50mm)		
DRAWN	E.Emmei	DATE	SCALE
CHECKED	H.Kawano	DEC.19.2018	
APPROVED	K.Koushou	DRAWING No. T1-AA032AE	
SPECIAL ORDER No.	ASAHI YUKIZAI CORPORATION		