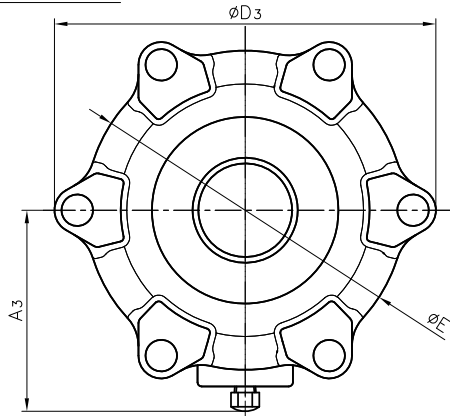


SOCKET END

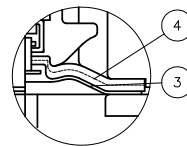
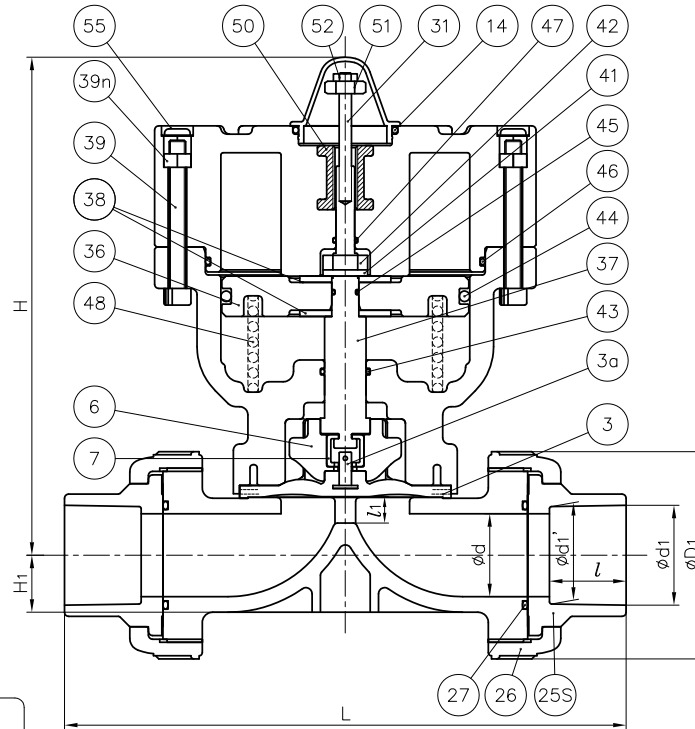
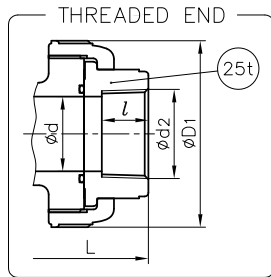
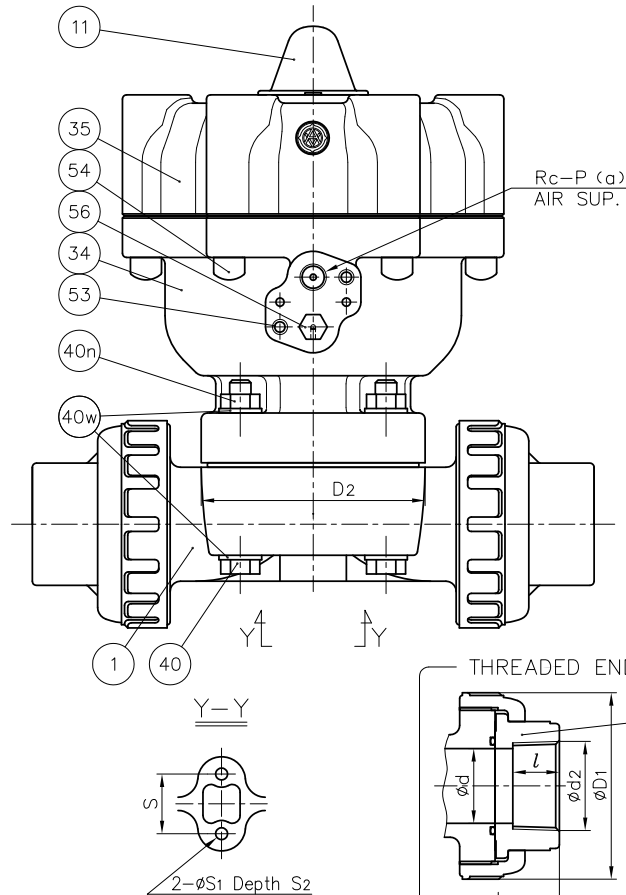


DIMENSIONS TABLE

Nominal Size	d	SOCKET END						THREADED END				
		PVC,C-PVC			PP,PVDF (IPS)			d2	l	PVC C-PVC	PP PVDF	L
		d1	d1'	l	L	d1	l					
1½" 40mm	1.57	1.912	1.894	1.375	10.47	1.89	1.37	10.28	1½"-11½"NPT	0.98	9.65	9.65
2 50	2.01	2.387	2.369	1.500	11.54	2.36	1.50	11.54	2"-11½"NPT	1.10	11.06	10.95

Unit : inch

Nominal Size	D1	D2	D3	E	l1 (LIFT)	H	H1	A3	S	S1	S2	P
1½" 40mm	3.94	4.25x4.25	7.24	6.06	0.71	9.37	1.08	3.82	1.77	0.35	0.59	¼
2 50	4.17	4.84x4.84	7.24	6.06	0.79	10.00	1.42	3.82	1.77	0.35	0.59	¼



In case Material of Diaphragm is PTFE

NOTE.

1. Operation of permission pressure : 0.4~0.6MPa G
2. Air To Shut : Valve open :Port (a) Exhaust
Valve shut :Port (a) Supply
3. The shape and appearance of assembly differ a little with nominal size compared to this drawing.

56	NIPPLE	1	COPPER ALLOY (C3604)	
55	CAP	6	EPDM	Blue
54	CAP FOR HEXAGON SOCKET HEAD CAP SCREWS	6	PVC	
53	INSERTED METAL OF CYLINDER BODY	2	STAINLESS STEEL (SUS303)	
52	NUT (No.52)	1	STAINLESS STEEL (SUS304)	
51	STOPPER FOR PNEUMATIC ACTUATOR	1	STAINLESS STEEL (SUS304)	
50	INSERTED METAL OF CYLINDER COVER	1	STAINLESS STEEL (SUS304)	
48	SPRING	1	SWOSM-B	
47	O-RING (No.47)	1	NBR	
46	O-RING (No.46)	1	NBR	
45	O-RING (No.45)	1	NBR	
44	O-RING (No.44)	1	NBR	
43	O-RING (No.43)	1	NBR	
42	NUT (No.42)	1	STAINLESS STEEL (SUS304)	
41	SPRING WASHER	1	STAINLESS STEEL (SUS304)	
40n	NUT (No.40)	4	STAINLESS STEEL (SUS304)	
40w	WASHER (No.40)	8	STAINLESS STEEL (SUS304)	
40	BOLT (No.40)	4	STAINLESS STEEL (SUS304)	
39n	NUT (No.39)	6	STAINLESS STEEL (SUS304)	
39	BOLT (No.39)	6	STAINLESS STEEL (SUS304)	
38	WASHER (No.38)	2	STAINLESS STEEL (SUS304)	
37	STEM FOR PNEUMATIC ACTUATOR	1	COPPER ALLOY (C3604)	
36	PISTON	1	PPG	
35	CYLINDER COVER	1	PPG	
34	CYLINDER BODY	1	PPG	
31	INDICATOR ROD	1	STAINLESS STEEL (SUS304)	
27	O-RING (No.27)	2	□EPDM □Others ()	
14	O-RING (No.14)	1	EPDM	
11	GAUGE COVER	1	PC	
7	JOINT	1	STAINLESS STEEL (SUS304)	
6	COMPRESSOR	1	PVDF	
4	CUSHION	1	EPDM	used for PTFE diaphragm
3a	INSERTED METAL OF DIAPHRAGM	1	STAINLESS STEEL (SUS304)	
3	DIAPHRAGM	1	□EPDM □PTFE □Others ()	
26	UNION NUT	2		
25t	END CONNECTOR (THREADED END)	2	□PVC □C-PVC	
25s	END CONNECTOR (SOCKET END)	2	□PP □PVDF	
1	BODY	1		
No.	DESCRIPTION	QTY.	MATERIAL	REMARKS

ITEM	T.U.DIAPHRAGM VALVE PNEUMATIC ACTUATED MODEL TYPE AI ASS'Y AIR TO SHUT ANSI : □SOCKET END, □THREADED END 1½" (40mm) · 2" (50mm)		
DRAWN	E.Emmei	DATE	SCALE
CHECKED	H.Kawano	DEC.19.2018	
APPROVED	K.Koushou	DRAWING No. T1-AA033AE	
SPECIAL ORDER No.	ASAHI YUKIZAI CORPORATION		