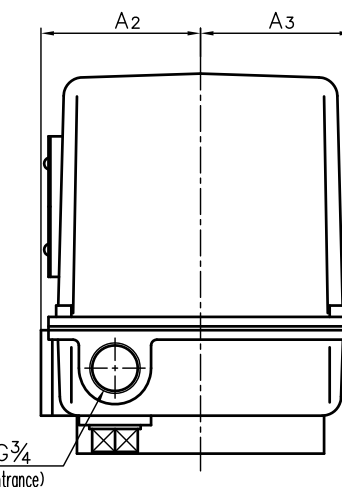
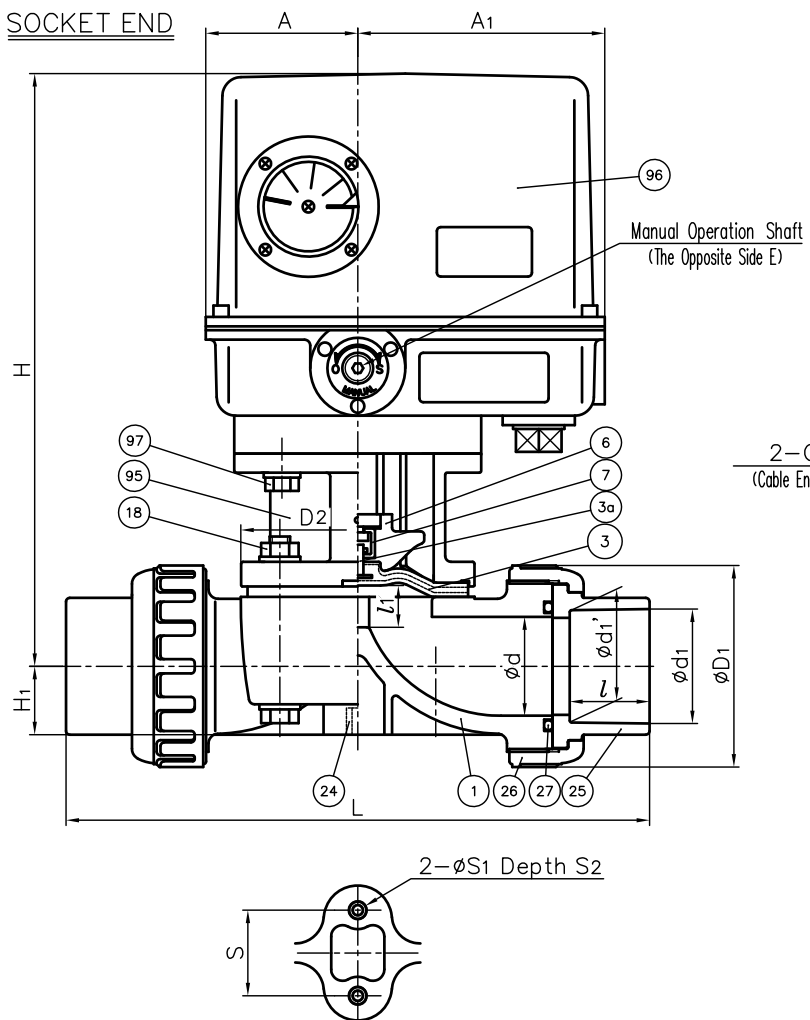


DIMENSIONS TABLE

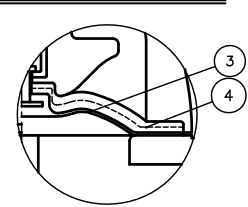
UNIT: inch

NOMINAL SIZE	d	SOCKET END							THREADED END							L <sub>1</sub> (LIFT)	H	H <sub>1</sub>	A	A <sub>1</sub>	A <sub>2</sub>	A <sub>3</sub>	E	S	S <sub>1</sub>	S <sub>2</sub>	ACTUATOR MODEL
		PVC,C-PVC				PP,PVDF (IPS)			d <sub>2</sub>	l	L		D <sub>1</sub>	D <sub>2</sub>													
		ASTM SCH80		L	d <sub>1</sub>	l	L	PVC C-PVC			PP PVDF																
½"	15mm	0.63	0.848						0.836	0.875		5.47	0.83	0.87	5.43	½ - 14 NPT	0.59	5.04	5.04	1.89	2.13 × 2.60	0.39	11.18	0.77	3.15	5.12	3.31
¾"	20	0.79	1.058	1.046	1.000	6.18	1.03	1.00	6.09	¾ - 14 NPT	0.67	5.83	5.83	2.36	2.13 × 2.60	0.39	11.26	0.69	3.15	5.12	3.31	3.15	0.20	0.98	M5	0.39	ED-11H
1"	25	0.98	1.325	1.310	1.125	7.32	1.30	1.13	7.24	1 - 11½ NPT	0.79	6.77	6.77	2.76	2.64 × 3.15	0.47	11.46	0.73	3.15	5.12	3.31	3.15	0.20	0.98	M5	0.39	ED-11H
1¼"	32	1.26	1.670	1.655	1.250	7.95	1.65	1.25	7.80	1¼ - 11½ NPT	0.87	7.40	7.40	3.23	2.64 × 3.15	0.47	11.59	0.89	3.15	5.12	3.31	3.15	0.20	0.98	M5	0.39	ED-11H
1½"	40	1.57	1.912	1.894	1.375	10.47	1.89	1.37	10.28	1½ - 11½ NPT	0.98	9.65	9.65	3.94	4.25 × 4.25	0.83	11.90	1.08	3.15	5.12	3.31	3.15	0.20	1.77	M6	0.55	ED-11H
2"	50	2.05	2.387	2.369	1.500	11.54	2.36	1.50	11.54	2 - 11½ NPT	1.10	11.06	10.95	4.17	5.04 × 5.04	0.98	12.25	1.42	3.15	5.12	3.31	3.15	0.20	1.77	M6	0.55	ED-11H

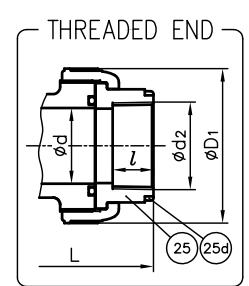
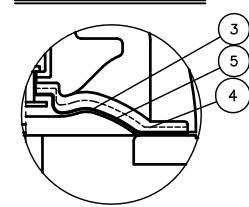
SOCKET END



In Case Material of Diaphragm is PTFE



In Case Material of Diaphragm is PTFE with Cushion Cover



- NOTE.
- Diaphragms except EPDM and PTFE are available in FKM, VIFLON-C (FKM-C), VIFLON-F (FKM-F), CSM and NBR when required.
  - The shape and appearance of assembly differ a little with nominal size compared to this drawing.

No.	DESCRIPTION	QTY.	MATERIAL	REMARKS
25d	RING	2	STAINLESS STEEL (SUS304)	Used for C-PVC Body. Threaded End : ½~1"
97	BOLT · WASHER (D)	4sets	STAINLESS STEEL (SUS304)	
96	ACTUATOR	1	CAST ALUMINUM ALLOY (AC2A etc.)	Melamine Baking Coat
95	BONNET	1	CAST ALUMINUM ALLOY (AC4C)	Epoxy Coat
27	O-RING (C)	2	□EPDM □Others ( )	
24	ENSAT FOR BODY	2	STAINLESS STEEL (SUS303)	
18	BOLT · NUT (A)	4sets	STAINLESS STEEL (SUS304)	
7	JOINT	1	STAINLESS STEEL (SUS304)	
6	COMPRESSOR	1	PVDF	
5	CUSHION COVER	1	□Nothing □PVDF	Used for PTFE Diaphragm
4	CUSHION	1	EPDM	
3a	INSERTED METAL OF DIAPHRAGM	1	STAINLESS STEEL (SUS304)	
3	DIAPHRAGM	1	□EPDM □PTFE □Others ( )	
26	UNION NUT	2	□PVC □C-PVC	
25	END CONNECTOR	2	□PP □PVDF	
1	BODY	1	□PVDF	

ITEM T.U. DIAPHRAGM VALVE (TYPE14) ELECTRIC MODEL TYPE H ASS'Y  
ANSI : □SOCKET END, □THREADED END  
½" (15mm) ~ 2" (50mm)

DRAWN	E.Emmei	DATE	SCALE
CHECKED	H.Kawano	MAY.1.2023	
APPROVED	K.Koushou	DRAWING No. T1-AE003AE	

SPECIAL ORDER No. ASAHYUKIZAI CORPORATION