

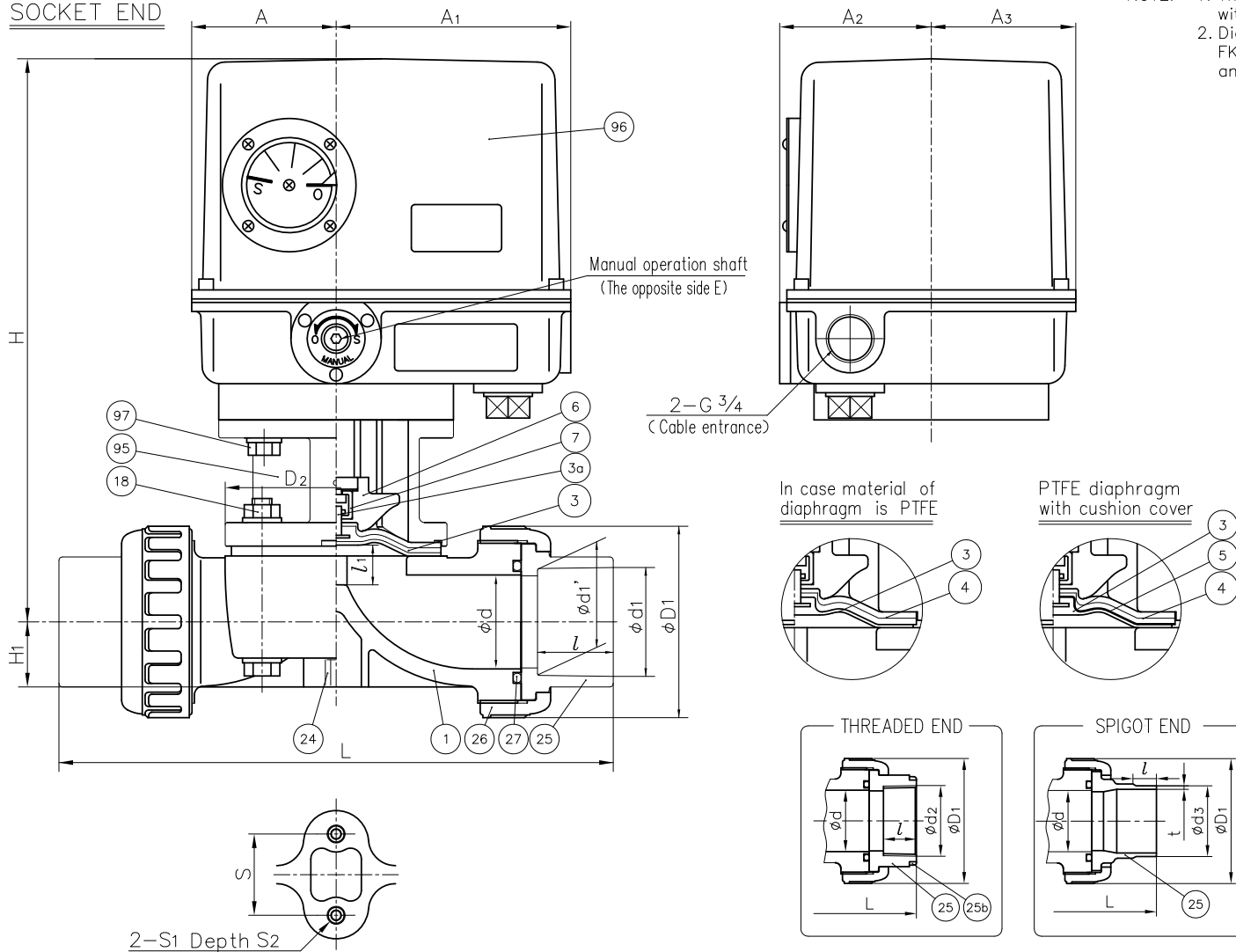
DIMENSIONS TABLE

UNIT : mm

NOMINAL SIZE	SOCKET END																				THREADED END		SPIGOT END																		ACTUATOR MODEL
	PVC,C-PVC								PP,PVDF								d ₂	l	PVC		PP,PVDF				D ₁	D ₂	l ₁ (LIFT)	H	H ₁	A	A ₁	A ₂	A ₃	E	S	S ₁	S ₂				
	d	d ₁	l	L	d ₁	d ₁ '	l	L	PVC	PP	d ₃	l	L	d ₃	l	t			L																						
									C-PVC	PVDF						PP			PVDF																						
15mm 1/2"	16	20	16	128	19.5	19.3	14.5	125	Rp 1/2	15	128	128	20	18.5	150	20	18.5	2.5	1.9	150	48	54 × 66	10	284	19.5	80	130	84	80	5	25	M5	10	ED-11H							
20 3/4"	20	25	19	147	24.5	24.3	16	141	Rp 3/4	17	148	148	25	24	172	25	22	2.7	1.9	172	60	54 × 66	10	286	17.5	80	130	84	80	5	25	M5	10	ED-11H							
25 1"	25	32	22	172	31.5	31.3	18	164	Rp 1	20	172	172	32	24.5	195	32	22.5	3.0	2.4	195	70	67 × 80	12	291	18.5	80	130	84	80	5	25	M5	10	ED-11H							
32 1 1/4"	32	40	26	188	39.45	39.2	20.5	177	Rp 1 1/4	22	188	188	40	28	212	40	26	3.7	2.4	212	82	67 × 80	12	294.5	22.5	80	130	84	80	5	25	M5	10	ED-11H							
40 1 1/2"	40	50	31	246	49.45	49.2	23.5	231	Rp 1 1/2	25	245	245	50	34	276	50	32	4.6	3.0	276	100	110 × 110	21	302.2	27.5	80	130	84	80	5	45	M6	14	ED-11H							
50 2"	52	63	38	294	62.5	62.1	27.5	274	Rp 2	28	281	278	63	38.5	308	63	36	5.8	3.0	307	106	128 × 128	25	311.2	36	80	130	84	80	5	45	M6	14	ED-11H							

NOTE. 1. The shape and appearance of assembly differ a little with nominal size compared to this drawing.
2. Diaphragms except EPDM and PTFE are available in FKM, VIFLON-C (FKM-C), VIFLON-F (FKM-F), CSM and NBR when required.

SOCKET END



25d	RING	2	STAINLESS STEEL (SUS304)	Used for C-PVC Body, Threaded End : 15~25mm
97	BOLT · WASHER(D)	4Sets		
96	ACTUATOR	1	CAST ALUMINIUM ALLOY (AC2A etc)	meramin baking coat.
95	BONNET	1	CAST ALUMINIUM ALLOY (AC2A etc)	epoxy coat
27	O-RING (C)	2	<input type="checkbox"/> EPDM <input type="checkbox"/> Others ()	
24	ENSAT FOR BODY	2	STAINLESS STEEL (SUS303)	
18	BOLT · NUT (A)	4Sets	STAINLESS STEEL (SUS304)	
7	JOINT	1	STAINLESS STEEL (SUS304)	
6	COMPRESSOR	1	PVDF	
5	CUSHION COVER	1	<input type="checkbox"/> Nothing (standard) <input type="checkbox"/> PVDF	Used for PTFE Diaphragm
4	CUSHION	1	EPDM	
3a	INSERTED METAL OF DIAPHRAGM	1	STAINLESS STEEL (SUS304)	
3	DIAPHRAGM	1	<input type="checkbox"/> EPDM <input type="checkbox"/> PTFE <input type="checkbox"/> Others ()	
26	UNION NUT	2	<input type="checkbox"/> PVC <input type="checkbox"/> C-PVC	
25	END CONNECTOR	2	<input type="checkbox"/> PP <input type="checkbox"/> PVDF	
1	BODY	1	<input type="checkbox"/> PVDF	
No.	DESCRIPTION	QTY.	MATERIAL	REMARKS

ITEM	T.U. DIAPHRAGM VALVE (TYPE14) ELECTRIC MODEL TYPE H ASS'Y DIN: □SOCKET END, □THREADED END, □SPIGOT END 15mm (1/2") ~ 50mm (2")		
DRAWN	E.Emmei	DATE	SCALE
CHECKED	H.Kawano	MAY.1.2023	
APPROVED	K.Koushou	DRAWING No. T1-AE003DE	
SPECIAL ORDER No.	ASAHI YUKIZAI CORPORATION		