

DIMENSIONS TABLE

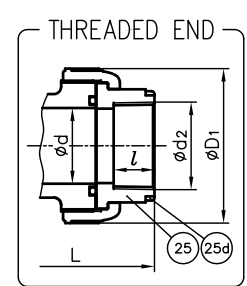
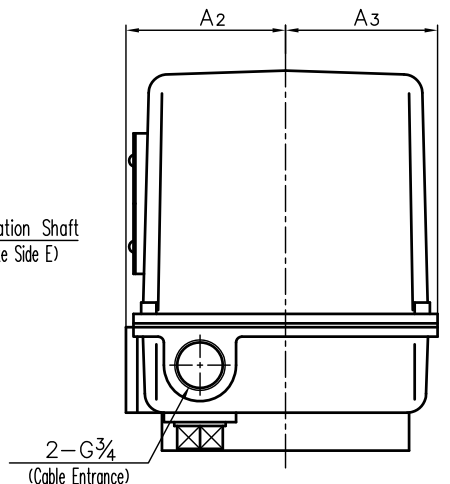
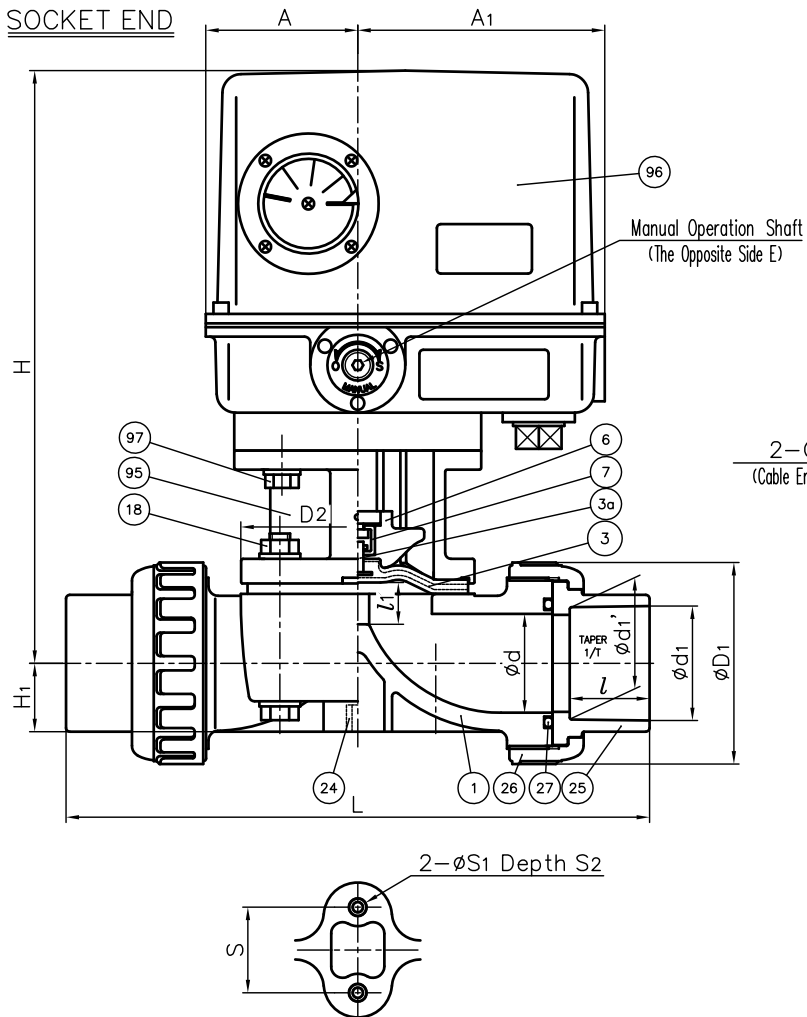
UNIT: mm

NOMINAL SIZE	SOCKET END										THREADED END														ACTUATOR MODEL			
	PVC, C-PVC					PP					D ₂	l	L		D ₁	D ₂	L ₁ (LIFT)	H	H ₁	A	A ₁	A ₂	A ₃	E		S	S ₁	S ₂
	d	d ₁	l	l'	L	d ₁	d ₁ '	l	L	PVC C-PVC			PP PVDF															
15mm	1/2"	16	22.11	20	1/32	134	21.2	20.2	20	134	Rc 1/2	15	128	128	48	54 x 66	10	284	19.5	80	130	84	80	5	25	M5	10	ED-11H
20	3/4	20	26.13	24	1/32	156	26.2	25.2	23	154	Rc 3/4	17	148	148	60	54 x 66	10	286	17.5	80	130	84	80	5	25	M5	10	ED-11H
25	1	25	32.16	27	1/32	186	33.0	32.0	25	182	Rc 1	20	172	172	70	67 x 80	12	291	18.5	80	130	84	80	5	25	M5	10	ED-11H
32	1 1/4	32	38.19	30	1/32	200	-	-	-	-	Rc 1 1/4	22	188	188	82	67 x 80	12	294.5	22.5	80	130	84	80	5	25	M5	10	ED-11H
40	1 1/2	40	48.21	37	1/32	271	47.0	46.0	28	253	Rc 1 1/2	25	245	245	100	110 x 110	21	302.2	27.5	80	130	84	80	5	45	M6	14	ED-11H
50	2	52	60.25	42	1/32	303	59.0	58.0	28	275	Rc 2	28	281	278	106	128 x 128	25	311.2	36	80	130	84	80	5	45	M6	14	ED-11H

NOTE.

- Diaphragms except EPDM and PTFE are available in FKM, VIFLON-C (FKM-C), VIFLON-F (FKM-F), CSM and NBR when required.
- The shape and appearance of assembly differ a little with nominal size compared to this drawing.

SOCKET END



No.	DESCRIPTION	QTY.	MATERIAL	REMARKS
25d	RING	2	STAINLESS STEEL (SUS304)	Used for C-PVC Body. Threaded End : 15~25mm
97	BOLT + WASHER (D)	4sets	STAINLESS STEEL (SUS304)	
96	ACTUATOR	1	CAST ALUMINUM ALLOY (AC2A etc.)	Melamine Baking Coat
95	BONNET	1	CAST ALUMINUM ALLOY (AC4C)	Epoxy Coat
27	O-RING (C)	2	<input type="checkbox"/> EPDM <input type="checkbox"/> Others ()	
24	ENSAT FOR BODY	2	STAINLESS STEEL (SUS303)	
18	BOLT + NUT (A)	4sets	STAINLESS STEEL (SUS304)	
7	JOINT	1	STAINLESS STEEL (SUS304)	
6	COMPRESSOR	1	PVDF	
5	CUSHION COVER	1	<input type="checkbox"/> Nothing <input type="checkbox"/> PVDF	Used for PTFE Diaphragm
4	CUSHION	1	EPDM	
3a	INSERTED METAL OF DIAPHRAGM	1	STAINLESS STEEL (SUS304)	
3	DIAPHRAGM	1	<input type="checkbox"/> EPDM <input type="checkbox"/> PTFE <input type="checkbox"/> Others ()	
26	UNION NUT	2	<input type="checkbox"/> PVC <input type="checkbox"/> C-PVC	
25	END CONNECTOR	2	<input type="checkbox"/> PP <input type="checkbox"/> PVDF	
1	BODY	1	<input type="checkbox"/> PVDF	

ITEM	T.U. DIAPHRAGM VALVE (TYPE14) ELECTRIC MODEL TYPE H ASSY JIS : <input type="checkbox"/> SOCKET END, <input type="checkbox"/> THREADED END 15mm (1/2") ~ 50mm (2")		
DRAWN	E.Emmei	DATE	SCALE
CHECKED	H.Kawano	MAY.1.2023	
APPROVED	K.Koushou	DRAWING No. T1-AE003JE	
SPECIAL ORDER No.	ASAHI YUKIZAI CORPORATION		