

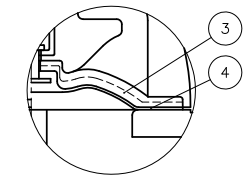
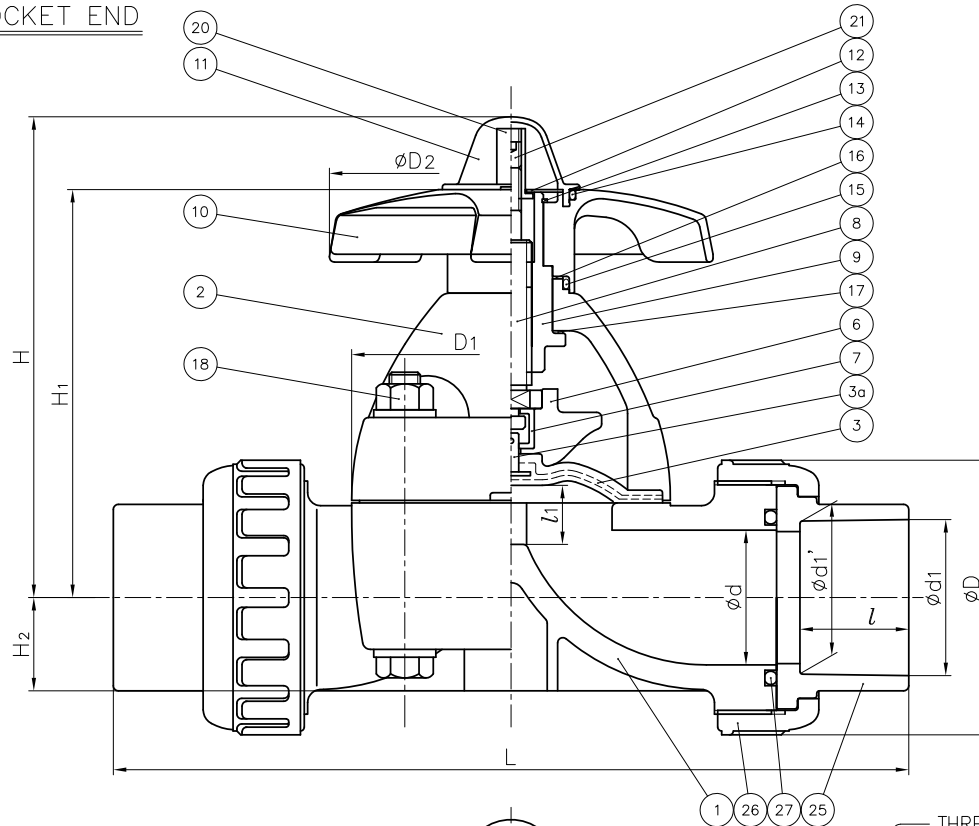
DIMENSIONS TABLE

UNIT : mm

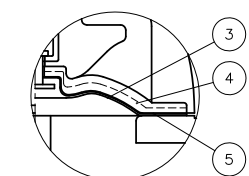
NOMINAL SIZE	d	SOCKET END								THREADED END				SPIGOT END								D	D1	D2	l1 (LIFT)	H	H1	H2	S	S1	S2	
		PVC,C-PVC				PP,PVDF				d2	l	L		PVC		PP,PVDF																
		d1	l	L	d1'	d1'	l	L	d3			l	L	d3	l	PP	PVDF	L	d3	l	t											L
		C-PVC	PP	PVDF	C-PVC	PP	PVDF	C-PVC	PP			PVDF	C-PVC	PP	PVDF	C-PVC	PP	PVDF	C-PVC	PP	PVDF											C-PVC
15mm 1/2"	16	20	16	128	19.5	19.3	14.5	125	Rp 1/2	15	128	128	20	18.5	150	20	18.5	2.5	1.9	150	48	54 x 66	100	10	104	86	19.5	25	7	13		
20 3/4"	20	25	19	147	24.5	24.3	16	141	Rp 3/4	17	148	148	25	24	172	25	22	2.7	1.9	172	60	54 x 66	100	10	106	88	17.5	25	7	13		
25 1"	25	32	22	172	31.5	31.3	18	164	Rp 1	20	172	172	32	24.5	195	32	22.5	3.0	2.4	195	70	67 x 80	100	12	111	93	18.5	25	7	13		
32 1 1/4"	32	40	26	188	39.45	39.2	20.5	177	Rp 1 1/4	22	188	188	40	28	212	40	26	3.7	2.4	212	82	67 x 80	100	12	116	97	22.5	25	7	13		
40 1 1/2"	40	50	31	246	49.45	49.2	23.5	231	Rp 1 1/2	25	245	245	50	34	276	50	32	4.6	3.0	276	100	108 x 108	156	21	177	144	27.5	45	9	15		
50 2"	52	63	38	294	62.5	62.1	27.5	274	Rp 2	28	281	278	63	38.5	308	63	36	5.8	3.0	307	106	123 x 123	156	25	191	158	36	45	9	15		

NOTE. 1. The shape and appearance of assembly differ a little with nominal size compared to this drawing.  
 2. Diaphragms except EPDM and PTFE are available in FKM, VIFLON<sup>®</sup>C (FKM-C), VIFLON<sup>®</sup>F (FKM-F), CSM and NBR when required.

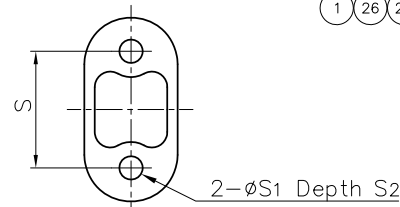
SOCKET END



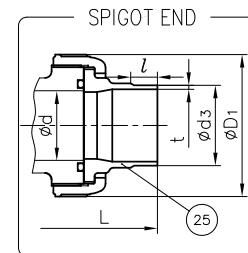
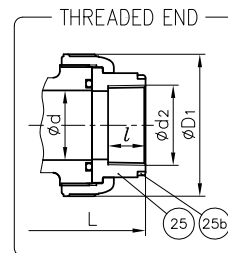
In case material of diaphragm is PTFE.



In case material of diaphragm is PTFE with cushion cover.



(Detail of Holes for Metallic Insert.)



27	O-RING (C)	2	<input type="checkbox"/> EPDM <input type="checkbox"/> Others ( )	
25d	RING	2	STAINLESS STEEL (SUS304)	Used for C-PVC Body, Threaded End : 15~25mm
21	SCREW	1	Cr.Mo.STEEL (SCM435)	
20	STOPPER (A)	1	COPPER ALLOY (C3604)	
18	BOLT · NUT (A)	4Sets	STAINLESS STEEL (SUS304)	
17	THRUST RING (B)	1	UHMWPE	
16	THRUST RING (A)	1	UHMWPE	
15	O-RING (B)	1	EPDM	
14	O-RING (A)	1	EPDM	
13	RETAINING RING-C TYPE	1	STAINLESS STEEL (SUS304)	
12	NAME PLATE	1	PVC	
11	GAUGE COVER	1	PC	
10	HAND WHEEL	1	PP	
9	SLEEVE	1	COPPER ALLOY (C3604)	
8	STEM	1	COPPER ALLOY (C3604)	
7	JOINT	1	STAINLESS STEEL (SUS304)	
6	COMPRESSOR	1	PVDF	
5	CUSHION COVER	1	<input type="checkbox"/> Nothing <input type="checkbox"/> PVDF	Used for PTFE Diaphragm
4	CUSHION	1	EPDM	
3a	INSERTED METAL OF DIAPHRAGM	1	STAINLESS STEEL (SUS304)	
3	DIAPHRAGM	1	<input type="checkbox"/> EPDM <input type="checkbox"/> PTFE <input type="checkbox"/> Others ( )	
26	UNION NUT	2	BODY-UNION NUT / BONNET END CONNECTOR	
25	END CONNECTOR	2	<input type="checkbox"/> PVC/PVC <input type="checkbox"/> C-PVC/PP <input type="checkbox"/> PP/PP	
2	BONNET	1	<input type="checkbox"/> PVDF/PPG <input type="checkbox"/> PVDF/PVDF	
1	BODY	1	<input type="checkbox"/> PVDF/PVDF	
No.	DESCRIPTION	QTY.	MATERIAL	REMARKS

ITEM	TRUE UNION DIAPHRAGM VALVE (TYPE 14) ASS'Y DIN: <input type="checkbox"/> SOCKET END, <input type="checkbox"/> THREADED END, <input type="checkbox"/> SPIGOT END 15mm (1/2") ~ 50mm (2")		
DRAWN	E.Emmei	DATE	SCALE
CHECKED	H.Kawano	FEB.12.2019	~
APPROVED	K.Koushou	DRAWING No.	
		T1-M1001DE	
SPECIAL ORDER No.	ASAHYUKIZAI CORPORATION		