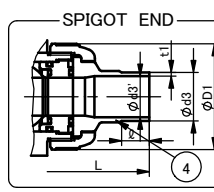
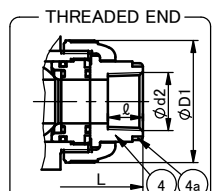
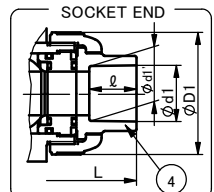
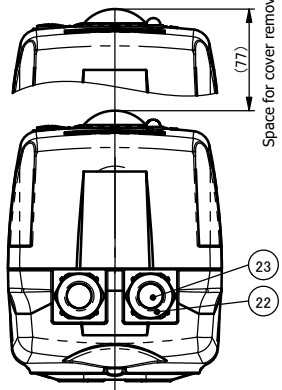
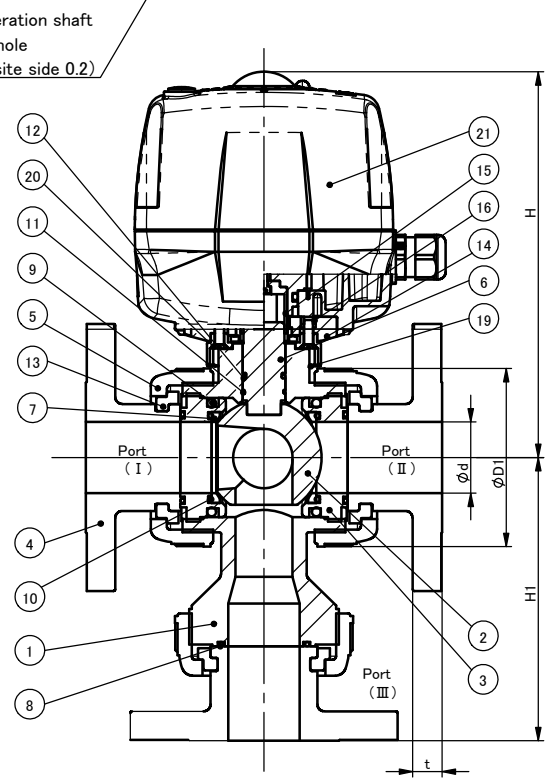
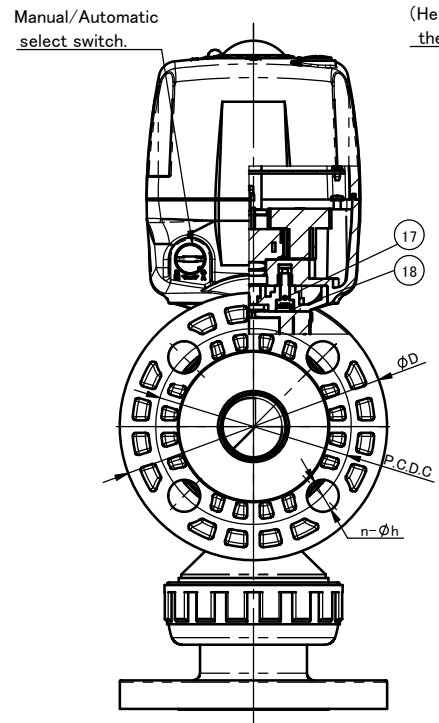
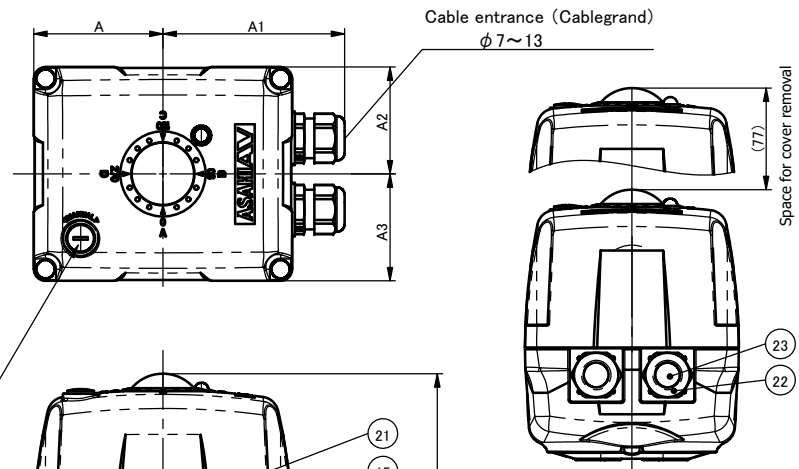
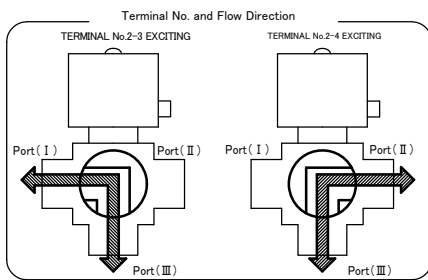


DIMENSIONS TABLE

Unit:mm

NOMINAL SIZE	FLANGED END																		SOCKET END										THREADED END				SPIGOT END						ACTUATOR MODEL
	DIN PN10								PVC, C-PVC					PP, PVDF									PVC		PP, PVDF														
	d	d'	D	C	n	h	L	t	H1	d1	ℓ	L	H1	d1	d1'	ℓ	L	H1	d2	ℓ	L	H1	d3	d3'	ℓ	d3	ℓ	PP	PVDF	L	H1	D1	H	A	A1	A2	A3		
15mm	1/2"	15	15	95	65	4	14	130	12	88	20	16	102	72	19.5	19.3	14.5	99	71	Rp1/2	15	102	74	20	15	18.5	20	18.5	2.5	1.9	124	83	48	185.5	72.5	102	60	60	
20	3/4	20	20	105	75	4	14	150	14	104	25	19	120	85	24.5	24.3	16	114	83	Rp3/4	17	120	89	25	20	24.0	25	22.0	2.7	1.9	144	99	60	194	72.5	102	60	60	
25	1	25	25	115	85	4	14	160	14	120	32	22	131	104	31.5	31.3	18	123	100	Rp 1	20	131	105	32	25	24.5	32	22.5	3.0	2.4	154	115	70	201	72.5	102	60	60	
32	1 1/4	40	32	140	100	4	18	212	16	165	40	26	173	147	39.45	39.2	20.5	148	131	Rp1 1/4	22	163	141	-	-	-	-	-	-	-	-	100	216.5	72.5	102	60	60		
40	1 1/2	40	32	150	110	4	18	200	16	159	50	31	163	142	49.45	49.2	23.5	148	131	Rp1 1/2	25	163	141	50	40	34	50	32.0	4.6	3.0	194	153	100	216.5	72.5	102	60	60	
50	2	51	43	165	125	4	18	230	16	185	63	38	197	170	62.5	62.1	27.5	176	154	Rp 2	28	197	168	63	51	38	63	36.0	5.8	3.0	224	178	126	228	72.5	102	60	60	



No.	DESCRIPTION	QTY.	MATERIAL	REMARKS
4a	Ring	3	SUS304	Used fo C-PVC Body. Threaded End:15~25mm
23	Cablegrand ceiling plug	1	CR	
22	Cablegrand	2	PA	
21	ACTUATOR	1	PC etc.	AV-Z-025
20	Bolt	2	SUS304	
19	Base Plate	1	PPG	
18	Rubber Cap(M5)	4	EPDM	
17	Bolt	4	SUS304	
16	Nut	2	SUS304	
15	Bush	1	SMF5040	
14	Connector Plate	1	PC-GF	
13	Stop Ring	3	PVDF	Used for Flanged End
12	O-ring	1	<input type="checkbox"/> EPDM <input type="checkbox"/> FKM <input type="checkbox"/> Others ()	
11	O-ring	1		
10	O-ring	2		
9	O-ring	2		
8	O-ring	3		
7	Seat	2	PTFE	
6	Stem	1	<input type="checkbox"/> PVC <input type="checkbox"/> C-PVC <input type="checkbox"/> PP <input type="checkbox"/> PVDF	
5	Union nut	3		
4	End connector	3		
3	Carrier	2		
2	Ball	1		
1	Body	1		

ITEM	3-WAY BALL VALVE (TYPE23) ELECTRIC MODEL Z TYPE ASS'Y DOUBLE L-PORT TYPE DIN: <input type="checkbox"/> FLANGED END, <input type="checkbox"/> SOCKET END, <input type="checkbox"/> THREADED END, <input type="checkbox"/> SPIGOT END 15mm (1/2") ~ 50mm (2")		
DRAWN	E. Enmei	DATE	SCALE
CHECKED	T. Iwamoto	Jun. 1, 2021	~
APPROVED	K. Koushou	DRAWING No. T3-AE012DE	
SPECIAL ORDER No.			
ASAHI YUKIZAI CORPORATION			