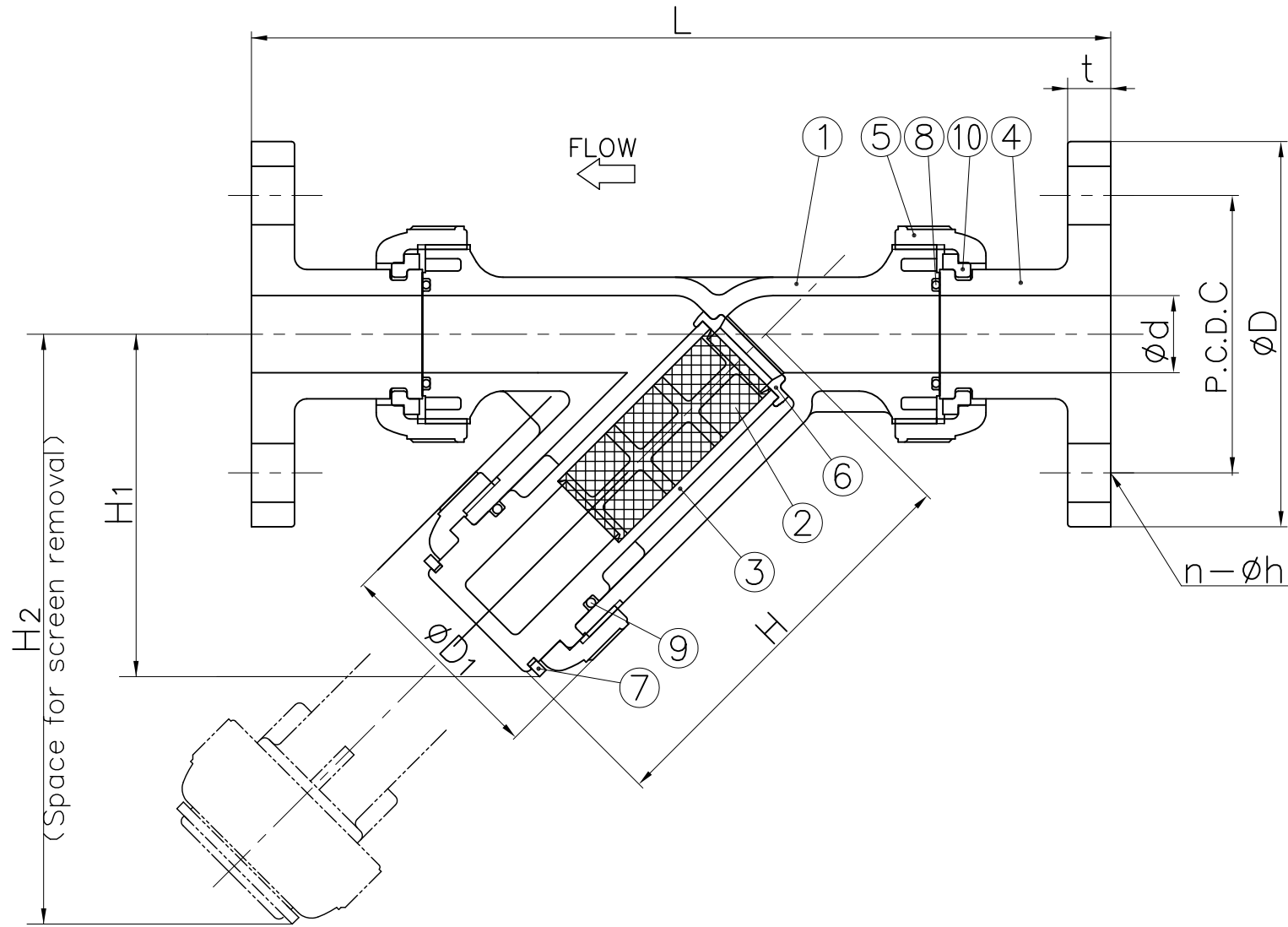


FLANGED END



DIMENSIONS TABLE

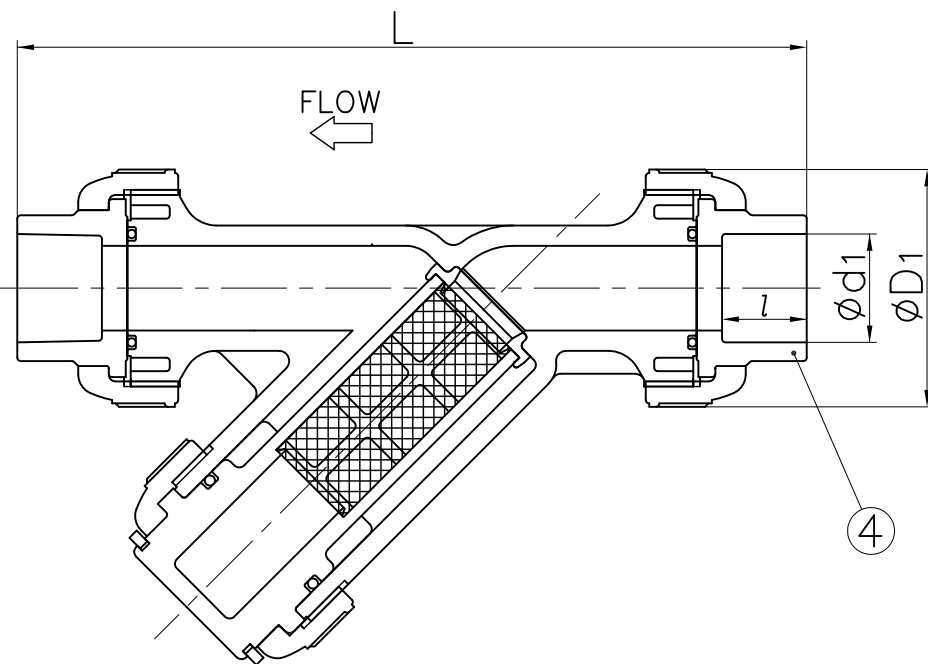
UNIT:mm

NOMINAL SIZE	FLANGED END						d	D ₁	H	H ₁	H ₂
	DIN PN10				L	t					
	D	C	n	h							
15 ^{mm} 1/2"	95	65	4	14	193	12	15	48	97	78	134
20 3/4	105	75	4	14	232	14	20	60	120	98	168
25 1	115	85	4	14	253	14	25	70	133	111	189
32 1 1/4	140	100	4	16	336	16	40	96	177	149	256
40 1 1/2	150	110	4	18	324	16	40	96	177	149	256
50 2	165	125	4	18	360	16	51	106	190	160	277
65 2 1/2	185	145	4	18	477	18	78	152	271	234	399
80 3	200	160	8	18	483	21	78	152	271	234	399
100 4	220	180	8	18	608	18	100	210	361	316	537

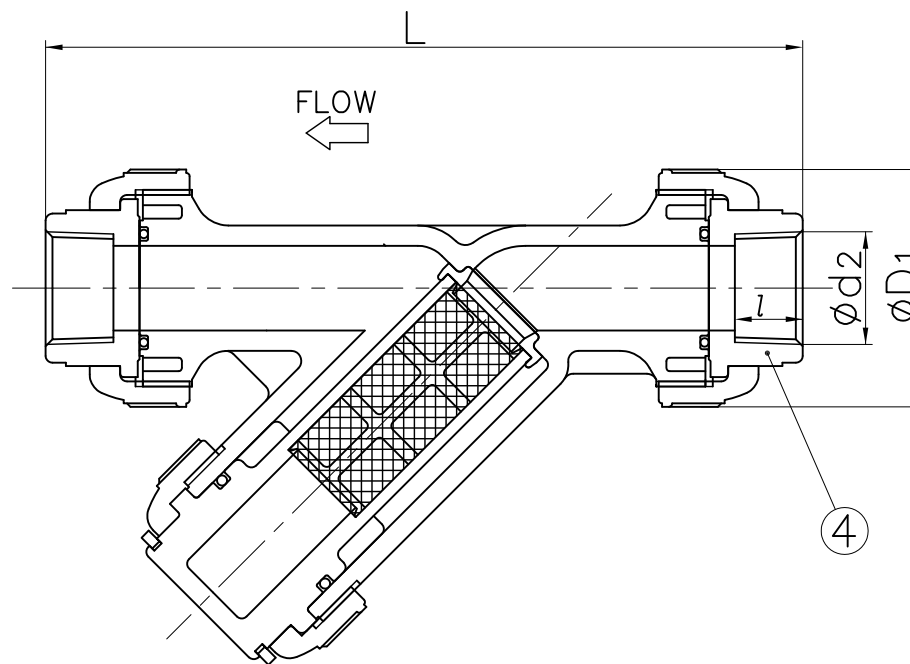
NOMINAL SIZE	SOCKET END		THREADED END			
	d ₁	l	L	d ₂	l	L
15 ^{mm} 1/2"	20	16	165	Rp 1/2	15	165
20 3/4	25	19	201	Rp 3/4	17	202
25 1	32	22	224	Rp 1	20	224
32 1 1/4	40	26	298	Rp 1 1/4	22	287
40 1 1/2	50	31	288	Rp 1 1/2	25	287
50 2	63	38	337	Rp 2	28	324
65 2 1/2	75	44	455	Rp 2 1/2	32	436
80 3	90	51	455	Rp 3	35	436
100 4	110	61	607	Rp 4	45	596

NOTE. The shape and appearance of assembly differ a little with nominal size compared to this drawing.

SOCKET END



THREADED END



10	STOP RING	2	PVDF	used for Flanged end
9	O-RING (B)	1	<input type="checkbox"/> EPDM <input type="checkbox"/> FKM	
8	O-RING (A)	2	<input type="checkbox"/> others()	
7	SPLIT RING	1	PVC	1) Transparent
6	SCREEN HOLDER	1		2) <input type="checkbox"/> 40 Mesh (Standard) <input type="checkbox"/> 30 Mesh (Request) <input type="checkbox"/> 20 Mesh (Request) <input type="checkbox"/> 60 Mesh (Request)
5	UNION NUT	3		
4	END CONNECTOR	2		
3	SCREEN SUPPORT	1		
2	FILTER SCREEN ²⁾	1		
1	BODY ¹⁾	1		IN CASE OF 60 mesh: U-PVC (20 mesh)+PVDC (60 mesh)
No.	DESCRIPTION	No. REQ'D	MATERIAL	REMARKS

SEDIMENT STRAINERS ASS'Y
DIN : FLANGED END, SOCKET END, THREADED END
15^{mm}(1/2") ~ 100^{mm}(4")

DRAWN	S.Yamashita	DATE	SEP.29.2009	SCALE	
CHECKED	T.Iwamoto	DRAWING No.			
APPROVED	Y.Ozaki	YS-60003DE			
SPECIAL ORDER No.	ASAHI YUKIZAI CORPORATION				